

IXA-4G-1GA

5-Port Gigabit PoE Switch (1-Port Gigabit Uplink)



Overview

This product is an unmanaged Giga Ethernet PoE switch with 4 Giga PoE ports and 1 Giga RJ45 Uplink. The Step-Link feature incorporates power management features to prioritize PoE ports when the total power output of the PoE ports exceeds the maximum PoE power budget, shutting down lower-priority ports and providing power to critical PD devices to extend the service life of the switch.

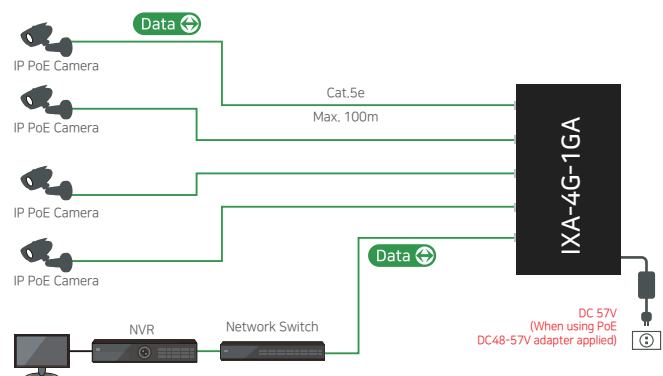
Features

- 4-Port Gigabit Ethernet PoE with 1-Port Gigabit Uplink
- 65W PoE Power Budget
- Support short-circuit protection and Over-current protection
- PoE Port Priority to protect switches in over-loading status
- Premium Metal Case
- Premium 57DVC/1.2A Adaptor included

Specification

IXA-4G-1GA		
Port description	PoE port	1-4port: 10/100/1000M PoE
	Uplink port	5 port: 1000M RJ45
PoE power output	Power Budget	65W
	Max PoE port Output	30W
	PoE port priority	Support
Performance Specification	Backplane Bandwidth	10Gbps
	Packet forwarding rate	7.44Mpps
	Mac address	2k
Processing types	Store and forward	
Power Supply	90~260VAC Input, 57VDC/1.2A Output	
LED indicators	Power(Power Indicator), 1~5(Link/activity indicator)	
Transmission mode	IEEE802.3x Full-duplex and Backpressure half-duplex	
Network standard	IEEE802.3i 10 BASE-T IEEE802.3u 100 BASE-TX IEEE802.3ab 1000 BASE-T IEEE802.3x Flow Control IEEE802.3az EEE IEEE802.3af Power over Ethernet IEEE802.3at Power over Ethernet	
Dimensions	195mm(L) x 147mm(W) x 48mm(H)	
Cable Requirement	Cat 5e or above	
Environment specification	Operating temperature: -10°C~45°C,	
	Operating humidity: 10%~90%	
	Storage temperature: -20°C~70°C,	
	Storage humidity: 5%~95%	

Connection Diagram



- ▶ Transmission distance may vary depending on the type and quality of cable.