

HPS-01

2 Port Hybrid PoE Switch



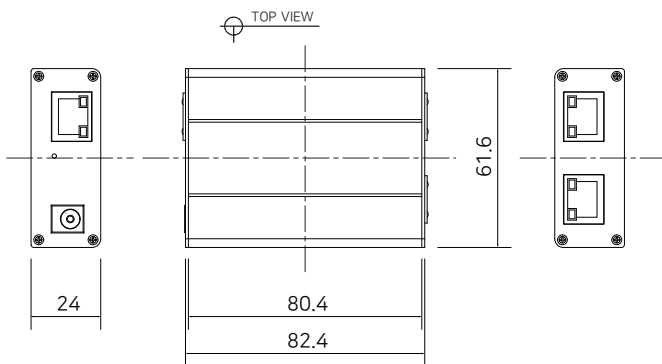
Overview

HPS-01 is a 2 Port Hybrid PoE Switch that transmits network signal and PoE+ power up to 200 meters between the devices.

1 input 2 output design makes easy to install 2 network devices into a single LAN cable and possible to connect multiple devices in a cascade configuration.

With built-in standard PD, the device supports secure PoE+ power supply and outputs PoE up to 25.5W. (Up to 30W with a DC 57V Power Supply)

Dimension



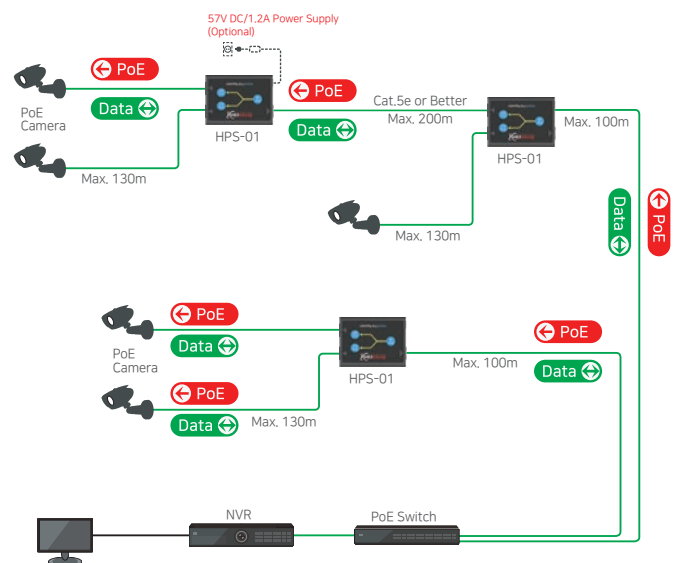
Features

- 1 input 2 output design (Possible to connect 2 network devices using 1 cable)
- Extended Ethernet transmission distance up to 200m (Configured with the Hybrid PoE Switch Series)
- 10/100 Base-T Ethernet (Full Duplex)
- Power Status LED indication
- PoE input
- DC48~57V power input
- Cascade configuration
- Over current protection for secured power supply
- Surge Protection

Specification

Model		HPS-01: 2 Port Hybrid PoE Switch
Interface	Downlink	2 x RJ-45
	Uplink	1 x RJ-45 - 10/100 Base-T with Auto-detect MDIX
Transmission Rate		100 Mbps Full Duplex
Transmission distance	Ethernet / PoE	Up to 100m - 10/100 Base-T Up to 200m between devices - 10/100 Base-T
	LED Indication	3 x Data Link (Green) 3 x PoE Link (Amber)
Power Input	PWR	1 x Input Power Quality (Green: Normal/48VDC and more, Green+Red: Caution, Red : Power Shortage/38VDC and below)
	PoE	PoE Switch/NVR (Max. 25W)
Power Output	DC	DC48V ~ 57V (Max. 70W)
	PoE	IEEE802.3af (PoE), IEEE802.3at (PoE+), Extra PoE up to 60W with 57V Power Adaptor
Mechanical	Dimension	80.4(L) x 61.6(W) x 24(H) mm
	Weight	102g
Environment	Operating Temp.	- 20 ~ 60 °C
	Storage Temp.	- 30 ~ 80 °C
	Relative Humidity	10% ~ 90%
Compliance	Certification	FCC, CE, KC, RoHS
	Surge Protection	IEC 61000-4-5 4kV(1.2 / 50us), 2kV(8 / 20us)
Optional Accessories	57VDC / 1.2A External Power Supply	

Connection Diagram



▶ Transmission distance may vary depending on the type and quality of cable.