

IXA-24F8G-L2M-4X / IXA-24F8G-L3M-4X



Overview

The product, a L2/L3 Managed Ethernet Switch, offers 24 x Gigabit SFP Ports or 8 x 10/100/1000 BASE-T RJ45 Ports and 4 x 10 Gigabit SFP+ Uplink Ports, it provides high-performance, powerful and abundant L2/L3 Switching functions like static routing, enterprise-level QoS, advanced security strategies and a bundle of ISP Features.

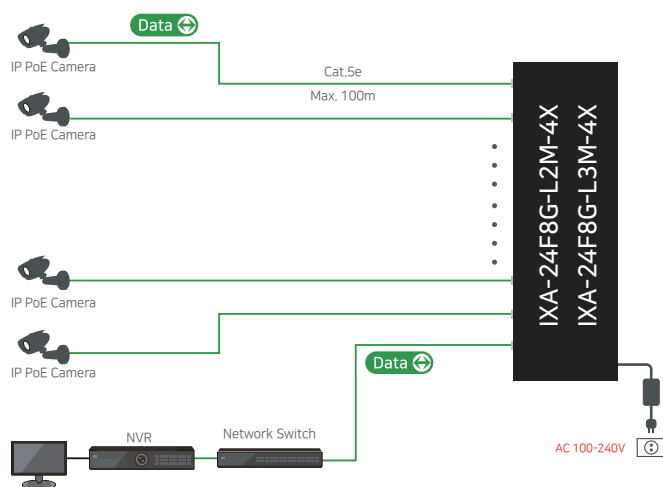
The IP-MAC-Port Binding (IMPB) AND Access Control List (ACL) functions protect against broadcast storm, ARP and Denial-of-service (DOS) attacks, etc, Quality of Service (QoS, L2 to L4) enhance traffic management capabilities to move your data smoother and faster, and advanced EPRS looping technology to improve the rapid self-recovery capability outdoor IP surveillance and wireless network applications.

19 inch size Metal shell supports 1U rack-mountable installation, along with the easy-to-use CLI web management interfaces, The product provides a reliable, secure solution for enterprise, campus and ISP networks requirement.

Features

- 24 x Gigabit SFP or 8 x 10/100/1000BASE-T RJ45 ports with 4 x 10G SFP Slots Uplink
- Static Routing, DHCP server and MSTP
- Link Aggregation Control Protocol (LACP)
- Default button for recovery factory setting
- Layer 2 management and security with Layer 3 capabilities
- Support short-circuit protection and Over-current protection
- L2/L3/L4 QoS and IGMP snooping optimize voice and video application
- WEB/CLI managed modes, SNMP, bring abundant management features

Connection Diagram



▶ Transmission distance may vary depending on the type and quality of cable.

Specification

Hardware Specifications : IXA-24F8G-L2M-4X / IXA-24F8G-L3M-4X		
Ports description	SFP port	1-24 port: Gigabit Fiber Slots or
	Combo port	1-8 port: 8 Gigabit BASE-T RJ45
	SFP Slots	25-28 port: 4 SFP+ (10G SFP) Slots
Performance Specification	Backplane Bandwidth	128Gbps
	Packet forwarding rate	95.23Mpps
	MAC address	16k
	Jumbo Frame	12k Bytes
Processing types	Store and forward	
Physical Security Lock	Yes	
Power Supply	AC 100~240V, 50/60Hz	
LED indicators	PWR, Link/Act	
	PWR (power indicator), Link/Act (link/activity indicator)	
Transmission mode	IEEE802.3x Full-duplex and Backpressure half-duplex	
Default Recovery	Hold on Default button for 10 seconds to recovery factory setting	
Network standard	IEEE802.3i 10 BASE-T	
	IEEE802.3u 100 BASE-TX	
	IEEE802.3ab 1000 BASE-T	
	IEEE802.3z 1000 BASE-T Fiber	
	IEEE802.3x Flow Control	
	IEEE802.1p LAN layer 2 QoS/CoS protocol for traffic priority (multicast filtering)	
	IEEE802.1q VLAN	
IEEE802.1d STP Spanning tree		
IEEE802.1w RSTP Spanning tree		
Dimensions	440mm(L) * 360mm(W) * 44mm(H)	
Cable Requirement	UTP cat 5 or above	
Environment Specification	Operating temperature: -10°C~45°C,	
	Operating humidity: 10%~90%	
	Storage temperature: -20°C~70°C,	
	Storage humidity: 5%~95%	

Software Specifications : IXA-24F8G-L2M-4X / IXA-24F8G-L3M-4X	
Quality of Service	Support 802.1p CoS/DSCP priority
	Support 4 priority queues
	Queue scheduling: SP, WRR, SP+WRR
L2 Features	Port/Flow- based Rate Limiting
	IGMP Snooping V1/V2/V3
	Spanning Tree: STP/RSTP/MSTP
	Port Isolation
	BPDU filtering/guard
	TC/Root protect
	Loop back detection
L3 Features	802.3x Flow Control
	802.3ad LACP
	Wire-speed IP Forwarding
	Static Routing
VLAN	RIP V1, V2
	DHCP Server/Relay
	APR Proxy
Access Control List	Supports up to 4K VLANs simultaneously (out of 4K VLAN IDs)
	Port/ MAC/Protocol-based VLAN
Security	Management VLAN configuration
	L2~L4 package filtering based on source and destination MAC, IP address, TCP/UDP ports, 802.1p, DSCP, protocol and VLAN ID
	Time Range Based
	IP-MAC-Port-VID Binding
	IEEE 802.1X Port/MAC Based authentication, Radius, Guest VLAN
	DoS Defense
	Dynamic ARP inspection (DAI)
Management	SSH v1/v2
	SSL v2/v3/TLSv1
	Port Security
	Broadcast/Multicast/Unknown-unicast Storm Control
	Web-based GUI and CLI management
	SNMP v1/v2c/v3, Compatible with public MIBs DHCP/BOOTP Client, DHCP Snooping, DHCP Option82
	CPU Monitoring
	Port Mirroring
	Time Setting: SNTP
	Integrated NDP/NTDP feature
Firmware Upgrade: TFTP & Web	
System Diagnose: VCT	
SYSLOG & Public MIBS	