



Intercoax Switch



Switch

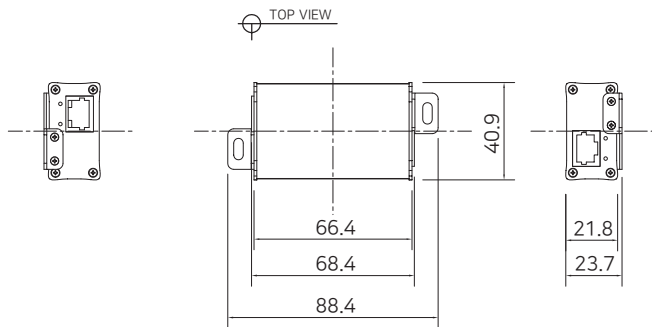
EPR-111	3
Ethernet & PoE Repeater	
EPR-1001	4
Gigabit Ethernet & PoE+ Repeater	
HPS-01	5
2 Port Hybrid PoE Switch	
FLX-1008	6
8 Port PoE Switch for FLEXIA camera	
HPS-1008	7
8 Port Hybrid PoE Switch	
IXA-4G-1GA	8
5-Port Gigabit PoE Switch (1-Port Gigabit Uplink)	
IXA-8G-2CP1	9
12-Port Gigabit PoE Switch with 2GE RJ45 + 2SFP Uplink	
IXA-16G-2SP2	10
18-Port Gigabit PoE Switch with 2 Gigabit SFP Slots Uplink	
IXA-24G-2SP4	11
26-Port Gigabit PoE Switch with 2 Gigabit SFP Slots Uplink	
IXA-24G-L2M-4C / IXA-24G-L3M-4C	12
IXA-24G-L2M-4CP4 / IXA-24G-L3M-4CP4	13
IXA-24F8G-L2M-4X / IXA-24F8G-L3M-4X	14
24-port Gigabit Managed Fiber Switch with 10G SFP Uplink	

EPR-111

► Ethernet & PoE Repeater



Dimension



Specification

Model		EPR-111
Interface	LAN / PoE In	1 x RJ45 - 10/100 Base-T with Auto-detect MDIX
	LAN / PoE Out	1 x RJ45 - 10/100 Base-T with Auto-detect MDIX
Transmission Rate		100Mbps Full Duplex
Transmission Distance		100m**(200m)
LED Indication	Ethernet	1 x Data(Green)
	Power	1 x PoE(Yellow)
PoE	Standards	IEEE802.3af/at(PoE)
	Max. Power	Max. 25W
Mechanical	Dimension	66.4(L) x 40.9(W) x 21.8(H)mm
	Weight	72.5g
Environment	Operating Temp	-20 ~ 60°C
	Storage Temp	-20 ~ 80°C
	Relative Humidity	10% ~ 90%

► ** () means Max distance between EPR series.

Overview

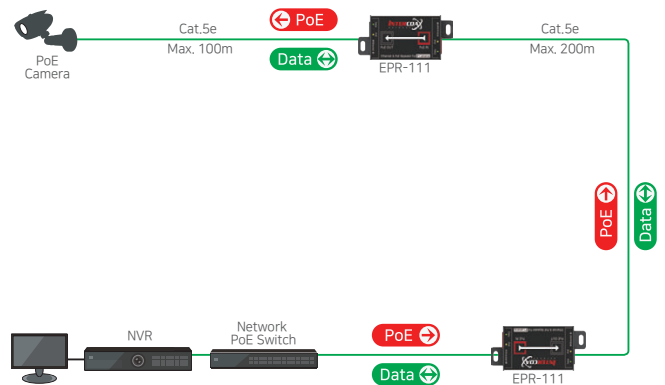
EPR-111 is Ethernet & PoE Repeaters that make possible to overcome max. 100m distance limitation of the network configuration. For more distance extension, the devices can be added by daisy-chaining (up to 600m).

It is cost effective and easy installation solution for all kind of PoE (IEEE802.3af/at / 25W) compliant devices such as IP cameras, Network Switch, VoIP Phone, etc.

Features

- Ethernet & PoE Repeater
- Up to 200m Ethernet & PoE extension
- Additional extension by adding devices
- 25W PoE output (IEEE802.3af/at)
- No additional power required (PoE powered)
- Surge Protection
- Slim design

Connection Diagram

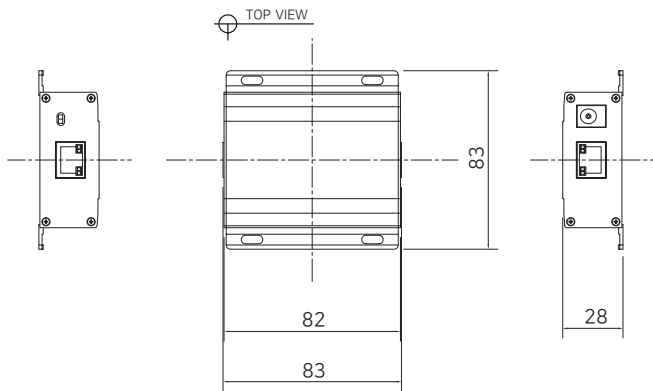


► Transmission distance may vary depending on the type and quality of cable, camera and environmental condition

EPR-1001 ▶ Gigabit Ethernet & PoE+ Repeater



Dimension



Specification

Model		EPR-1001
Interface	LAN / PoE In	1 x RJ45 - 10/100/1000 Base-T with Auto-detect MDIX
	LAN / PoE Out	1 x RJ45 - 10/100/1000 Base-T with Auto-detect MDIX
Transmission Rate		1Gbps Full Duplex
Transmission Distance		100m ** (150m)
LED Indication	Ethernet	1 x Data(Green)
	Power	1 x PoE(Yellow)
PoE	Standards	IEEE802.3af / IEEE802.3at
	Max. Power	Max. 25.5W (PoE) / 60W (DC 57V/1.2A)
Mechanical	Dimension	82(L) x 83(W) x 28(H)mm
	Weight	118g
Environment	Operating Temp	-20 ~ 60°C
	Storage Temp	-20 ~ 80°C
	Relative Humidity	10% ~ 90%

▶ ****** (): Max. distance between Intercoax PoE Repeaters

Overview

EPR-1001 is a Gigabit (10/100/1000) Ethernet & PoE+ Repeater that makes possible to overcome maximum 100m distance limitation of the standard network configuration.

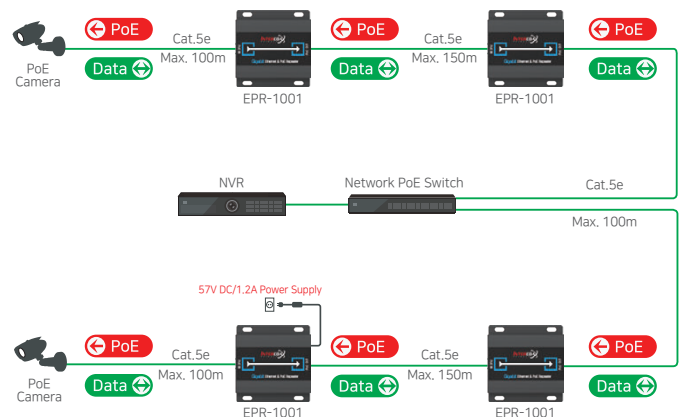
For more distance extension, the devices can be added by daisy-chaining and possible to configure an IP extension easily.

It is cost effective and easy installation solution for all kind of PoE (IEEE802.3af), PoE+ (IEEE802.3at) compliant devices and the device outputs high power PoE (up to 60W) by using 57VDC /1.2A Power supply.

Features

- Gigabit Ethernet & PoE Repeater
- The distance can be extended up to 150 meters on a 1Gbps basis (between EPR-1001 devices).
- IEEE802.3af (15W) / IEEE802.3at (25.5W)
- Up to 60W PoE output (Bypass Mode and using 57VDC / 1.2A Power supply)
- PoE output Bypass/Auto Switch
- PoE, PoE+ Input (From PoE Switch, PoE Injector)
- Surge Protection
- DC input supported (DC48~57V)

Connection Diagram

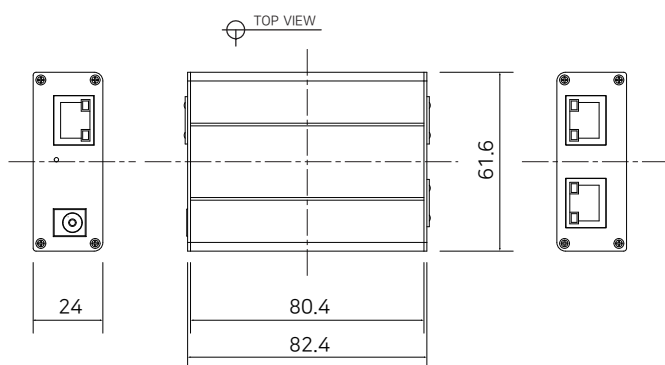


▶ Transmission distance may vary depending on the type and quality of cable, use of power and environmental condition.

HPS-01 ▶ 2 Port Hybrid PoE Switch



Dimension



Specification

Model		HPS-01: 2 Port Hybrid PoE Switch
Interface	Downlink	2 x RJ-45
	Uplink	1 x RJ-45 - 10/100 Base-T with Auto-detect MDIX
Transmission Rate		100 Mbps Full Duplex
Transmission distance		Ethernet / PoE Up to 100m - 1000 Base-T Up to 200m between devices - 10/100 Base-T
LED Indication	Data	3 x Data Link (Green)
	PoE	3 x PoE Link (Amber)
	PWR	1 x Input Power Quality (Green: Normal/48VDC and more, Green+Red: Caution, Red : Power Shortage/38VDC and below)
Power Input	PoE	IEEE802.3af, IEEE802.3at
	DC	DC48V ~ 57V
Power Output	PoE	IEEE802.3af, IEEE802.3at
Mechanical	Dimension	80.4(L) x 61.6(W) x 24(H) mm
	Weight	102g
Environment	Operating Temp.	- 20 ~ 60 °C
	Storage Temp.	- 30 ~ 80 °C
	Relative Humidity	10% ~ 90%
Compliance	Certification	FCC, CE, KC, RoHS
	Surge Protection	IEC 61000-4-5 4kV(1.2 / 50us), 2kV(8 / 20us)
Optional Accessories		57VDC / 1.2A External Power Supply

Overview

HPS-01 is a 2 Port Hybrid PoE Switch that transmits network signal and PoE+ power up to 200 meters between the devices.

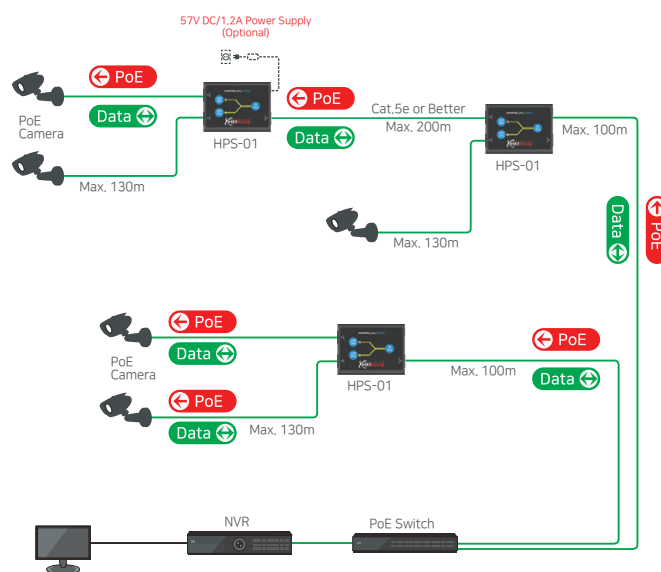
1 input 2 output design makes easy to install 2 network devices into a single LAN cable and possible to connect multiple devices in a cascade configuration.

With built-in standard PD, the device supports secure PoE+ power supply and outputs PoE up to 25.5W. (Up to 30W with a DC 57V Power Supply)

Features

- 1 input 2 output design (Possible to connect 2 network devices using 1 cable)
- Extended Ethernet transmission distance up to 200m (Configured with the Hybrid PoE Switch Series)
- 10/100 Base-T Ethernet (Full Duplex)
- Power Status LED indication
- PoE input
- DC48~57V power input
- Cascade configuration
- Over current protection for secured power supply
- Surge Protection

Connection Diagram



▶ Transmission distance may vary depending on the type and quality of cable.

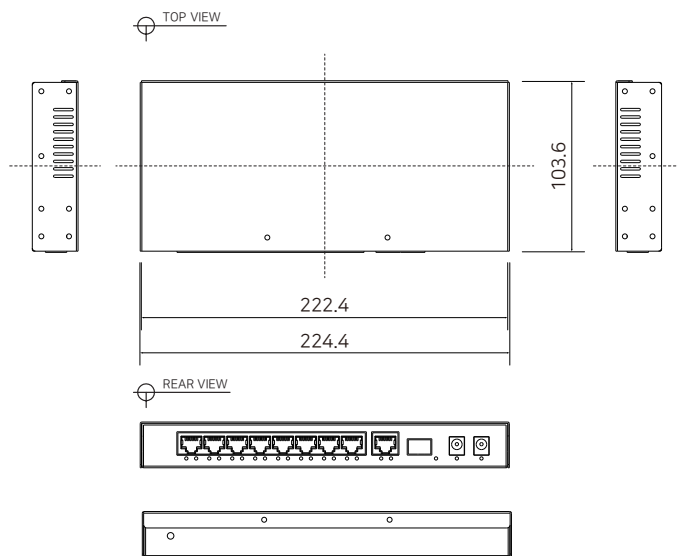
FLX-1008

▶ 8 Port PoE Switch for FLEXIA camera

Flexia



Dimension



Specification

Model		FLX-1008 : 8Port Flexia PoE Switch
Interface	Downlink	8 x RJ-45: FLEXIA with Auto-negotiation - 10/100 Base-T - 10/100 Long Reach Protocol
	Uplink	1 x RJ-45 - 100/1000 Base-T with Auto-detect MDIX 1 x SFP - 100Base-FX/1000Base-X Module with serdes type
Transmission Rate		Downlink: Max. 100Mbps/Port. Uplink: Max. 1000Mbps
Transmission distance	Downlink	Up to 100m (10/100 Base-T) Up to 500m (100 Long Reach Protocol) Up to 1km(10 Long Reach Protocol)
	Uplink	Up to 100m(100/1000 Base-T) According to SFP Module
LED Indication	Downlink	8 x RJ45 Data Link (Green) 8 x PoE Output (Orange)
	Uplink	1 x RJ-45 Data Link (Green) 1 x SFP Data Link (Green)
Power Input		2 x Power Input (Orange) 2 x Power input [DC-Jack] DC48V-57V
Power Output	PoE	IEEE802.3af(PoE), IEEE802.3at (PoE+)
	Dimension	225(L) x 105(W) x 29(H) mm
Mechanical	Weight	700g
	Operating Temp.	-10 ~ 60 °C
Environment	Storage Temp.	- 30 ~ 80 °C
	Relative Humidity	10% ~ 90%
Compliance	Certification	FCC, CE, KC
	Surge Protection	IEC 61000-4-5 4kV (1.2 / 50us), 2kA(8 / 20us)

Overview

The FLX-1008 is a receiver for the FLEXIA camera line. It is Intercoax's new short and long range Ethernet Switching Hub, with 8 RJ45 ports supporting PoE+ (IEEE802.3at) as downlink and 2 ports supporting RJ45 and SFP as uplinks. The downlink transmits at 10/100Mbps and automatically detects standard Ethernet as well as Long Reach Protocol. The uplink transmits at 100/1000 Mbps and supports both standard Ethernet and standard SFP Module.

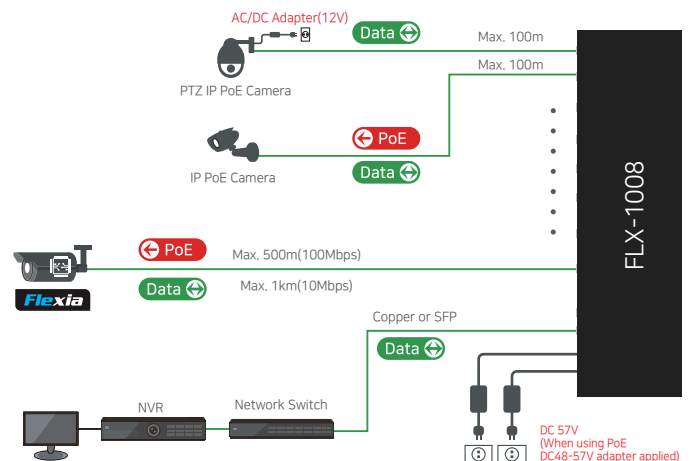
Maximum transmission distance is 1km when connected to FLEXIA cameras supporting Long Reach Protocol, and 100m with standard Ethernet. Two power supplies are included for redundancy and power sharing (30W per port)

- When using 2 power supplies, PoE supports about 136W for all ports and max.30W per port (Ex: If 1 ~ 4 ports are used, 30W/port; if all 8 ports are used, 17W/port)
- When using 1 power supply, overall PoE is about 68W, and max.30W per port (Ex: If 1 ~ 2 ports are used, 30W/port; if all 8 ports are used, 8.5W/port)

Features

- PoE Ethernet Switch
 - Downlink: 8 x RJ45 (PoE+) - Uplink: 1 x RJ45, 1 x SFP
- Transmission Method
 - Downlink: Automatically detect standard Ethernet and Long Reach Protocol (FLEXIA)
 - Uplink: Standard Ethernet and Standard SFP Module
- Transmission Speed
 - Downlink: 10/100Mbps Auto negotiation
 - Uplink: 100/1000Mbps Auto negotiation
- Transmission distance
 - Downlink: Max.100m for standard Ethernet, and Max.500m at 100Mbps and Max.1Km at 10Mbps for Long Reach Protocol.
 - Uplink: Max.100m for standard Ethernet; standard SFP Module follows the Module specification.
- Downlink 8-Port PoE Power
 - Max.30W/Port; overall PoE Power 136W
 - Secure PoE power transmission guaranteed with Standard PSE (Power Sourcing Equipment) application
- 1 or 2 Power adapters (57V/1.2A), DC 48V ~ 57V power also possible
 - Downlink 8-port PoE total capacity depends on the power adapter
- Action Status LED supported
- Ultra-Small Design
- 19" Rack Mount (Exclusive Rack Mounted Bracket Sold Separately)

Connection Diagram



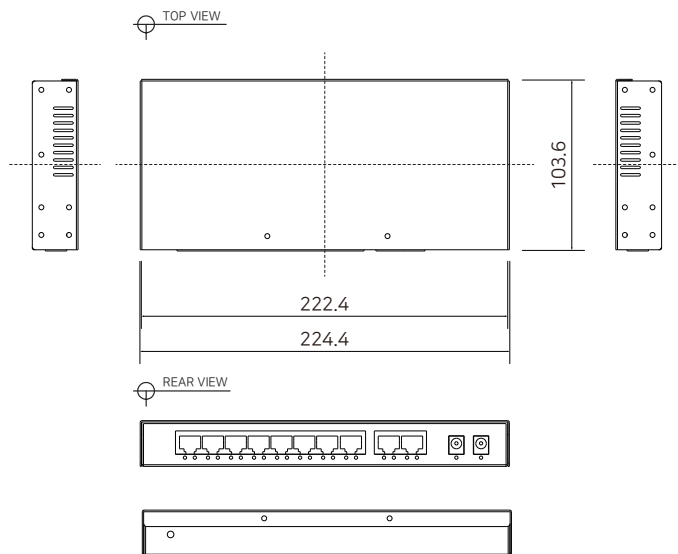
▶ Transmission distance may vary depending on the type and quality of cable.

HPS-1008

► 8 Port Hybrid PoE Switch



Dimension



Specification

Model		HPS-1008: 8 Port Hybrid PoE Switch
Interface	Downlink	8 x RJ-45 - 10/100/1000 Base-T with Auto-detect MDIX
	Uplink	2 x RJ-45 - 10/100/1000 Base-T with Auto-detect MDIX
Transmission Rate		Max. 1Gbps Full Duplex
Transmission distance	Ethernet / PoE	Up to 100m Up to 200m with HPS-01 (2 Port Hybrid Switch)
LED Indication	Ethernet (Downlink)	8 x RJ45 Data Link (Green)
	Ethernet (Uplink)	2 x RJ45 Data Link (Green/Orange)
	PoE Output	8 x PoE Output (Orange)
	PWR Input	2 x Power Input (Blue)
Power Input		2 x Power input [DC-Jack] DC48V-57V
Power Output	PoE	IEEE802.3af(PoE), IEEE802.3at (PoE+ / up to 25.5W)
	Dimension	225(L) x 105(W) x 29(H) mm
Mechanical	Weight	700g
	Operating Temp.	-10 ~ 60 °C
	Storage Temp.	- 30 ~ 80 °C
Environment	Relative Humidity	10% ~ 90%
	Certification	FCC, CE, KC, RoHS
Compliance	Certification	FCC, CE, KC, RoHS
	Surge Protection	IEC 61000-4-5 4kV(1.2 / 50us), 2kA(8 / 20us)

Overview

The HPS-1008 is 8 + 2 port Gigabit Hybrid PoE+ Switching Hub that transmits 1Gbps Ethernet and supports PoE+ (up to 25.5W).

Using HPS-01 (2 Port Hybrid PoE Switch), the device supports 100Mbps Ethernet transmission and PoE+ power supply up to 200 meters and it is possible to connect multiple devices in cascade mode.

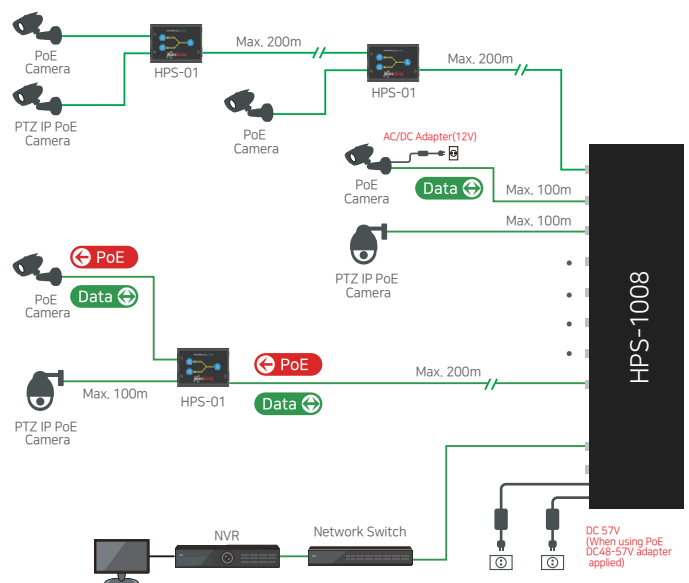
With dual DC inputs supply secured PoE+ power up to 25.5W by each port and can also be used redundancy power source.

Optional 19" rack mount is available for easy installation.

Features

- Gigabit 8+2 port PoE Switch
 - Downlink: 8 x RJ45 - Uplink: 2 x RJ45
- 10/100/1000 Ethernet (Full Duplex)
- Extended Ethernet (100Mbps) distance up to 200 m (With HPS-01, 2 port Hybrid PoE Switch)
- Cascade configuration (With the HPS-01: 2 port Hybrid PoE Switch)
- PoE, PoE+ output up to 25.5W
- Over current protection for secured power supply
- Surge Protection
- Dual DC adapter inputs
- Compact Hybrid Switch Design
- Optional 19" Rack mount

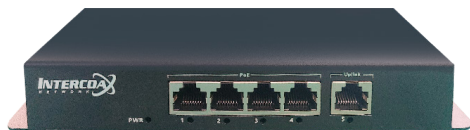
Connection Diagram



► Transmission distance may vary depending on the type and quality of cable.

IXA-4G-1GA

▶ 5-Port Gigabit PoE Switch (1-Port Gigabit Uplink)



Overview

This product is an unmanaged Giga Ethernet PoE switch with 4 Giga PoE ports and 1 Giga RJ45 Uplink. The Step-Link feature incorporates power management features to prioritize PoE ports when the total power output of the PoE ports exceeds the maximum PoE power budget, shutting down lower-priority ports and providing power to critical PD devices to extend the service life of the switch.

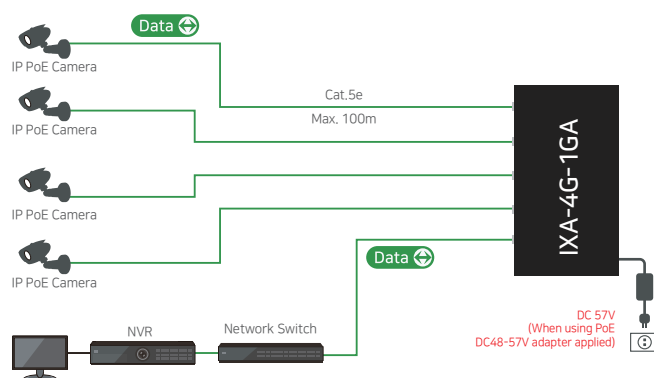
Features

- 4-Port Gigabit Ethernet PoE with 1-Port Gigabit Uplink
- 65W PoE Power Budget
- Support short-circuit protection and Over-current protection
- PoE Port Priority to protect switches in over-loading status
- Premium Metal Case
- Premium 57DVC/1.2A Adaptor included

Specification

IXA-4G-1GA		
Port description	PoE port	1-4port: 10/100/1000M PoE
	Uplink port	5 port: 1000M RJ45
PoE power output	Power Budget	65W
	Max PoE port Output	30W
	PoE port priority	Support
Performance Specification	Backplane Bandwidth	10Gbps
	Packet forwarding rate	7.44Mpps
	Mac address	2k
Processing types	Store and forward	
Power Supply	90~260VAC Input, 57VDC/1.2A Output	
LED indicators	Power(Power Indicator), 1~5(Link/activity indicator)	
Transmission mode	IEEE802.3x Full-duplex and Backpressure half-duplex	
Network standard	IEEE802.3i 10 BASE-T IEEE802.3u 100 BASE-TX IEEE802.3ab 1000 BASE-T IEEE802.3x Flow Control IEEE802.3az EEE IEEE802.3af Power over Ethernet IEEE802.3at Power over Ethernet	
Dimensions	195mm(L) x 147mm(W) x 48mm(H)	
Cable Requirement	Cat 5e or above	
Environment specification	Operating temperature: -10°C~45°C,	
	Operating humidity: 10%~90%	
	Storage temperature: -20°C~70°C,	
	Storage humidity: 5%~95%	

Connection Diagram



▶ Transmission distance may vary depending on the type and quality of cable.

IXA-8G-2CP1

► 12-Port Gigabit PoE Switch with 2GE RJ45 + 2SFP Uplink



Overview

The product, an unmanaged Gigabit Ethernet PoE Switch, provides 8 x Gigabit PoE ports and 2GE RJ45 + 2SFP total 4, 2 COMBO UPLINK, it Integrates step-link PoE power management functions, when the total power output of PoE port exceeds the max PoE power budget, the step-link enables the PoE Port Priority mechanism, cuts off the power supply for the lower priority port, ensure powering the critical PD equipment, to extend the service life of the switches.

11 inch size Metal shell supports desktop installation, with DIP Switch mode, it can support standard, Vlan and Extend mode, which make this PoE switch a flexible choice for IP cameras, wireless AP, VoIP end users.

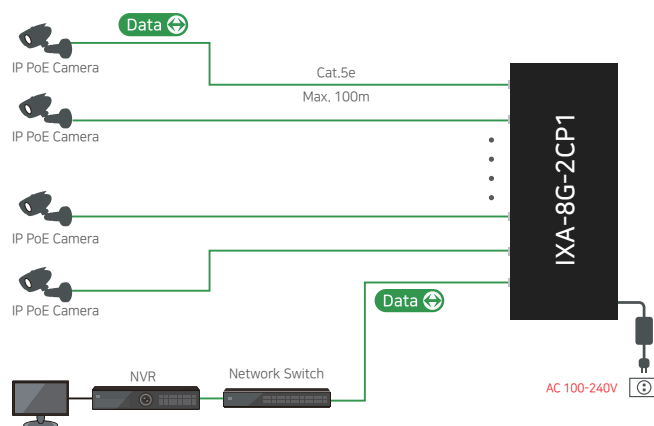
Features

- 8 ports Gigabit Ethernet PoE with 2GE RJ45 and 2SFP 2 Combo Uplink
- 150W PoE Power Budget
- Support short-circuit protection and Over-current protection
- PoE Port Priority to protect switches in over-loading status
- Support DIP mode in Switch, Normal, Vlan and Video Extend

Specification

IXA-8G-2CP1		
Ports description	PoE port	1-8 port: 10/100/1000Mbps PoE
	Uplink port	9-12 port: 2 GE WITH 2 SFP, 2 COMBO UPLINK
PoE power output	Power Budget	150W
	Max PoE port Output	30W
	POE port priority	Support
Performance specification	Backplane Bandwidth	20Gbps
	Packet forwarding rate	14.88Mpps
	MAC address	8k
Processing types	Store and forward	
Power Supply	AC 100-240V 50/60Hz	
LED indicators	Power(Power Indicator), 1~8(Link/activity indicator)	
Transmission mode	IEEE802.3x Full-duplex and Backpressure half-duplex	
Network standard	IEEE802.3i 10 BASE-T IEEE802.3u 100 BASE-TX IEEE802.3ab 1000 BASE-TX IEEE802.3x Flow Control IEEE802.3af Power over Ethernet IEEE802.3at Power over Ethernet IEEE802.3az EEE	
Dimensions	285mm(L) * 180mm(W) * 44mm(H)	
Cable Requirement	UTP cat 5 or above	
Environment specification	Operating temperature: -10°C~45°C, Operating humidity: 10%~90%	
	Storage temperature: -20°C~70°C, Storage humidity: 5%~95%	

Connection Diagram



► Transmission distance may vary depending on the type and quality of cable.

IXA-16G-2SP2

▶ 18-Port Gigabit PoE Switch with 2 Gigabit SFP Slots Uplink



Overview

The IXA-16G-2SP2, an unmanaged digital display PoE Switch, provides 16 x 10/100/1000Mbps PoE ports with 2 Gigabit SFP Slots, with digital tube display, the PoE power consumption clear at a glance, as it integrates smart-power-chip, to accurately calculate the PoE output power, when the total power output of all PoE port exceeds the max PoE power budget, the PoE Port Priority mechanism disconnected the low-priority port power supply, ensure powering the critical PD equipment, to prolong the service life of the switches.

19 inch size Metal shell 1U supports rack-mountable installation, Plug & play design make the installation quite easy, users do not need any configuration, which make this PoE switch a flexible choice for IP cameras, wireless AP, VoIP end users.

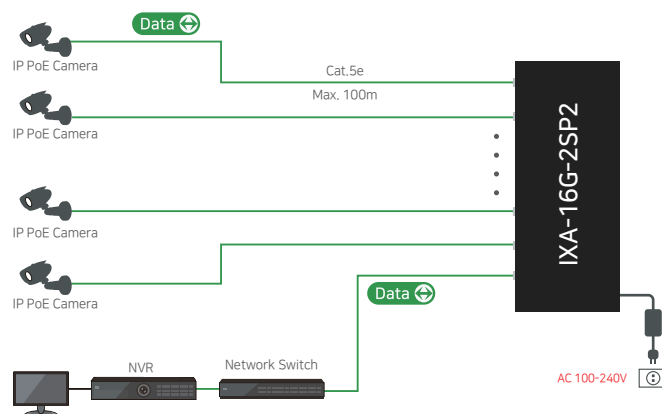
Features

- 16 Gigabit PoE ports with 2 Gigabit SFP Slots Uplink
- 250W PoE Power Budget
- Integrate smart-power-chip to accurately calculate output power
- Digital Tube Display, PoE power consumption clear at a glance
- Automatic defect the stuck IP Cameras and Reboot IPC (other PDs)
- Support short-circuit protection and Over-current protection
- PoE Port Priority to protect switches in over-loading status

Specification

IXA-16G-2SP2		
Ports description	PoE port	1-16 port: 10/100/1000Mbps PoE
	Uplink port	17-18 port: Gigabit SFP Slots
PoE power output	Power Budget	250W
	Max PoE port Output	30W
Performance specification	Backplane Bandwidth	36Gbps
	Packet forwarding rate	26.78Mpps
	MAC address	16k
Processing types	Store and forward	
Power Supply	AC 100~240V, 50/60Hz	
LED indicators	PWR/ Link/Act Power (power indicator), Link/Act (link/activity indicator)	
Transmission mode	IEEE802.3x Full-duplex and Backpressure half-duplex	
Network standard	IEEE802.3i 10 BASE-T IEEE802.3u 100 BASE-TX IEEE802.3ab 1000 BASE-T IEEE802.3z 1000 BASE-T Fiber IEEE802.3x Flow Control IEEE802.3af Power over Ethernet IEEE802.3at Power over Ethernet	
Dimensions	440mm(L) * 220mm(W) * 44mm(H)	
Cable Requirement	UTP cat 5 or above	
Environment specification	Operating temperature: -10°C~45°C, Operating humidity: 10%~90%	
	Storage temperature: -20°C~70°C, Storage humidity: 5%~95%	

Connection Diagram



▶ Transmission distance may vary depending on the type and quality of cable.

IXA-24G-2SP4

▶ 26-Port Gigabit PoE Switch with 2 Gigabit SFP Slots Uplink



Overview

The product, an unmanaged digital display PoE Switch, provides 24 x 10/100/1000 Mbps PoE ports with 2 Gigabit SFP Slots, with digital tube display, the PoE power consumption clear at a glance, as it integrates smart-power-chip, to accurately calculate the PoE output power, when the total power output of all PoE port exceeds the max PoE power budget, the PoE Port Priority mechanism disconnected the low-priority port power supply, ensure powering the critical PD equipment, to prolong the service life of the switches.

19 inch size Metal shell 1U supports rack-mountable installation, Plug & play design make the installation quite easy, users do not need any configuration, which make this PoE switch a flexible choice for IP cameras, wireless AP, VoIP end users.

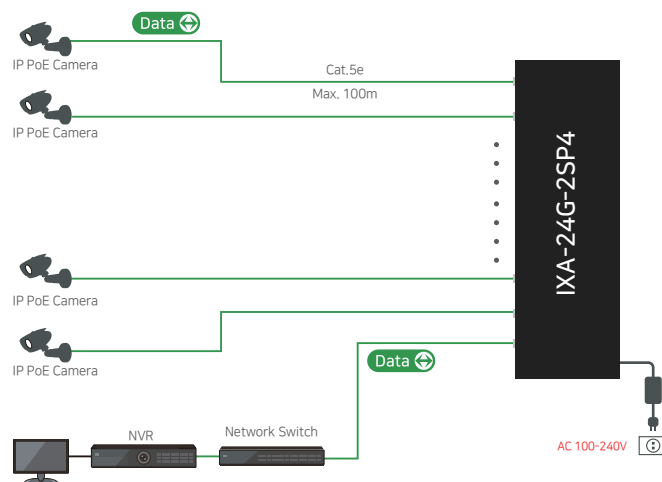
Features

- 24 Gigabit PoE ports with 2 Gigabit SFP Slots Uplink
- 450W PoE Power Budget
- Integrate smart-power-chip to accurately calculate output power
- Digital Tube Display, PoE power consumption clear at a glance
- Support short-circuit protection and Over-current protection
- PoE Port Priority to protect switches in over-loading status

Specification

IXA-24G-2SP4		
Ports description	PoE port	1-24 port: 10/100/1000Mbps PoE
	Uplink port	25-26 port: Gigabit SFP Slots
PoE power output	Power Budget	450W
	Max PoE port Output	30W
Performance specification	Backplane Bandwidth	52Gbps
	Packet forwarding rate	38.68Mpps
	MAC address	16k
Processing types	Store and forward	
Power Supply	AC 100~240V, 50/60Hz	
LED indicators	PWR/ Link/Act Power (power indicator), Link/Act (link/activity indicator)	
Transmission mode	IEEE802.3x Full-duplex and Backpressure half-duplex	
Network standard	IEEE802.3i 10 BASE-T IEEE802.3u 100 BASE-TX IEEE802.3ab 1000 BASE-T IEEE802.3z 1000 BASE-T Fiber IEEE802.3x Flow Control IEEE802.3af Power over Ethernet IEEE802.3at Power over Ethernet	
Dimensions	440mm(L) * 220mm(W) * 44mm(H)	
Cable Requirement	UTP cat 5 or above	
Environment specification	Operating temperature: -10℃~45℃, Operating humidity: 10%~90%	
	Storage temperature: -20℃~70℃, Storage humidity: 5%~95%	

Connection Diagram



▶ Transmission distance may vary depending on the type and quality of cable.

IXA-24G-L2M-4C / IXA-24G-L3M-4C



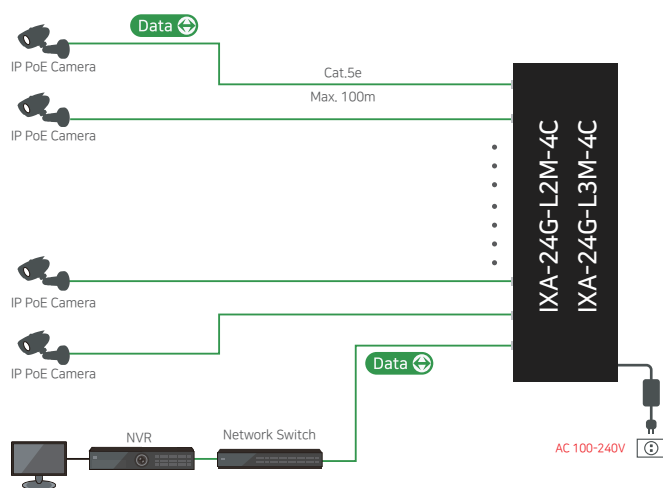
Overview

The IXA-24G-L2M-4C / IXA-24G-L3M-4C, a L2/L3 Managed Ethernet Switch, offers 24*10/100/1000 BASE-T RJ45 Ports, with 4 Gigabit RJ45 and 4 SFP Combo Uplink Ports, It provides high-performance, powerful and abundant L2/L3 Switching functions like static routing, enterprise-level QoS, advanced security strategies and a bundle of ISP Features, The IP-MAC-Port Binding (IMPB) AND Access Control List (ACL) functions protect against broadcast storm, ARP and Denial-of-service (DOS) attacks, etc, Quality of Service (QoS, L2, L3, L4) enhance traffic management capabilities to move your data smoother and faster, and advanced EPRS looping technology to improve the rapid self-recovery capability outdoor IP surveillance and wireless network applications. 19 inch size Metal shell supports 1U rack-mountable installation, along with the-easy-to use CLI web management interfaces, The IXA-24G-L2M-4C / IXA-24G-L3M-4C provides a reliable, secure solution for enterprise, campus and ISP networks requirement.

Features

- 24 x 10/100/1000BASE-T RJ45 ports with 4 x Gigabit RJ45 & 4 x SFP Combo Uplink
- Static Routing, DHCP server and MSTP
- Link Aggregation Control Protocol (LACP)
- Default button for recovery factory setting
- Layer 2 management and security with Layer 3 capabilities
- Support short-circuit protection and Over-current protection
- L2/L3/L4 QoS and IGMP snooping optimize voice and video application
- WEB/CLI managed modes, SNMP, bring abundant management features

Connection Diagram



► Transmission distance may vary depending on the type and quality of cable.

Specification

Hardware Specifications : IXA-24G-L2M-4C / IXA-24G-L3M-4C		
Ports description	Ethernet port	1-24 port: 10/100/1000Mbps RJ45
	Uplink port	25-28 port: 4 Gigabit RJ45, 4 SFP Slots Combo
Performance specification	Backplane Bandwidth	56Gbps
	Packet forwarding rate	41.7Mpps
	MAC address	16k
	Jumbo Frame	12k Bytes
Processing types	Store and forward	
Physical Security Lock	Yes	
Power Supply	AC 100~240V, 50/60Hz	
LED indicators	PWR, Link/Act	
	PWR (power indicator), Link/Act (link/activity indicator)	
Transmission mode	IEEE802.3x Full-duplex and Backpressure half-duplex	
Default Recovery	Hold on Default button for 10 seconds to recovery factory setting	
Network standard	IEEE802.3i 10 BASE-T	
	IEEE802.3u 100 BASE-TX	
	IEEE802.3ab 1000 BASE-T	
	IEEE802.3z 1000 BASE-T Fiber	
	IEEE802.3x Flow Control	
	IEEE802.1p LAN layer 2 QoS/CoS protocol for traffic priority (multicast filtering)	
Dimensions	IEEE802.1q VLAN	
	IEEE802.1d STP Spanning tree	
	IEEE802.1w RSTP Spanning tree	
	440mm(L) * 285mm(W) * 44mm(H)	
Cable Requirement	UTP cat 5 or above	
Environment specification	Operating temperature: -10°C~45°C,	
	Operating humidity: 10%~90%	
	Storage temperature: -20°C~70°C, Storage humidity: 5%~95%	

Software Specifications : IXA-24G-L2M-4C / IXA-24G-L3M-4C	
Quality of Service	Support 802.1p CoS/DSCP priority
	Support 4 priority queues
	Queue scheduling: SP, WRR, SP+WRR
	Port/Flow- based Rate Limiting
L2 Features	IGMP Snooping V1/V2/V3
	Spanning Tree: STP/RSTP/MSTP
	Port Isolation
	BPDU filtering/guard
	TC/Root protect
	Loop back detection
L3 Features	802.3x Flow Control
	802.3ad LACP
	Wire-speed IP Forwarding
	Static Routing
VLAN	RIP V1, V2
	DHCP Server/Relay
	APR Proxy
Access Control List	Supports up to 4K VLANs simultaneously (out of 4K VLAN IDs)
	Port/ MAC/Protocol-based VLAN
Security	Management VLAN configuration
	L2~L4 package filtering based on source and destination MAC, IP address, TCP/UDP ports, 802.1p, DSCP, protocol and VLAN ID
	Time Range Based
	IP-MAC-Port-VID Binding
	IEEE 802.1X Port/MAC Based authentication, Radius, Guest VLAN
	DoS Defense
Management	Dynamic ARP inspection (DAI)
	SSH v1/v2
	SSL v2/v3/TLSv1
	Port Security
	Broadcast/Multicast/Unknown-unicast Storm Control
	Web-based GUI and CLI management
	SNMP v1/v2c/v3, Compatible with public MIBs DHCP/BOOTP Client, DHCP Snooping, DHCP Option82
	CPU Monitoring
	Port Mirroring
	Time Setting: SNTP
Integrated NDP/NTDP feature	
Firmware Upgrade: TFTP & Web	
System Diagnose: VCT	
SYSLOG & Public MIBs	

IXA-24G-L2M-4CP4 / IXA-24G-L3M-4CP4



Overview

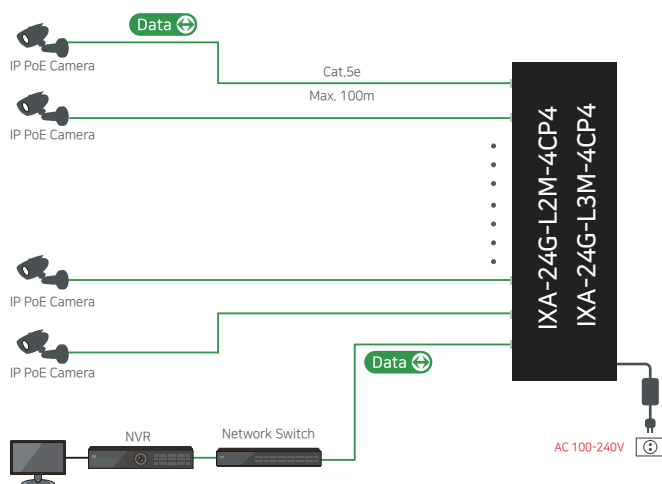
The product, a L2/L3 Managed PoE Switch, offers 24*10/100/1000 BASE-T PoE Ports, with 4 Gigabit RJ45 and 4 SFP Combo Uplink Ports, It provides high-performance, powerful and abundant L2/L3 Switching functions like static routing, enterprise-level QoS, advanced security strategies and a bundle of ISP Features, The IP-MAC-Port Binding (IMPB) And Access Control List (ACL) functions protect against broadcast storm, ARP and Denial-of-service (DOS) attacks, etc, Quality of Service (QoS, L2 to L4) enhance traffic management capabilities to move your data smoother and faster, and advanced EPRS looping technology to improve the rapid self-recovery capability outdoor IP surveillance and wireless network applications.

19 inch size Metal shell supports 1U rack-mountable installation, along with the easy-to use CLI web management interfaces, this product provides a reliable, secure solution for enterprise, campus and ISP networks requirement.

Features

- 24 x 10/100/1000BASE-T PoE ports with 4 x GE + 4 x SFP Combo Uplink
- 450W PoE Power Budget
- Static Routing, DHCP server and MSTP
- Link Aggregation Control Protocol (LACP)
- Default button for recovery factory setting
- Layer 2 management and security with Layer 3 capabilities
- Automatic detect the stuck IP Cameras, and Reboot IPC (other PDs)
- Support short-circuit protection and Over-current protection
- Intelligent PoE Port Priority to protect switches in over-loading status
- L2/L3/L4 QoS and IGMP snooping optimize voice and video application
- WEB/CLI managed modes, SNMP, bring abundant management features

Connection Diagram



► Transmission distance may vary depending on the type and quality of cable.

Specification

Hardware Specifications : IXA-24G-L2M-4CP4 / IXA-24G-L3M-4CP4		
Ports description	PoE port	1-24 port: 10/100/1000Mbps PoE
	Uplink port	25-28 port: Gigabit RJ45 SFP Slots Combo
PoE power output	PoE Power Budget	450W
	Max PoE Port output	30W
Performance specification	Backplane Bandwidth	56Gbps
	Packet forwarding rate	41.7Mpps
	MAC address	16k
	Jumbo Frame	12k Bytes
Processing types	Store and forward	
Physical Security Lock	Yes	
Power Supply	AC 100~240V, 50/60Hz	
LED indicators	PWR/ Link/Act Power (power indicator), Link/Act (link/activity indicator)	
Transmission mode	IEEE802.3x Full-duplex and Backpressure half-duplex	
Default Recovery	Hold on Default button for 10 seconds to recovery factory setting	
Network standard	IEEE802.3i 10 BASE-T	
	IEEE802.3u 100 BASE-TX	
	IEEE802.3ab 1000 BASE-T	
	IEEE802.3z 1000 BASE-T Fiber	
	IEEE802.3x Flow Control	
	IEEE802.1p LAN layer 2 QoS/CoS protocol for traffic priority (multicast filtering)	
	IEEE802.1q VLAN	
	IEEE802.1d STP Spanning tree	
	IEEE802.1w RSTP Spanning tree	
	IEEE802.3af Power over Ethernet	
	IEEE802.3at Power over Ethernet	
	Dimensions	440mm(L) * 285mm(W) * 44mm(H)
Cable Requirement	UTP cat 5 or above	
Environment specification	Operating temperature: -10°C~45°C,	
	Operating humidity: 10%~90%	
	Storage temperature: -20°C~70°C, Storage humidity: 5%~95%	
Software Specifications : IXA-24G-L2M-4CP4 / IXA-24G-L3M-4CP4		
Quality of Service	Support 802.1p CoS/DSCP priority	
	Support 4 priority queues	
L2 Features	Queue scheduling: SP, WRR, SP+WRR	
	Port/Flow-based Rate Limiting	
	IGMP Snooping V1/V2/V3	
	Spanning Tree: STP/RSTP/MSTP	
	Port Isolation	
	BPDU filtering/guard	
	TC/Root protect	
	Loop back detection	
	802.3x Flow Control	
	802.3ad LACP	
L3 Features	Wire-speed IP Forwarding	
	Static Routing	
	RIP V1, V2	
	DHCP Server/Relay	
VLAN	APR Proxy	
	Supports up to 4K VLANs simultaneously (out of 4K VLAN IDs)	
	Port/ MAC/Protocol-based VLAN Management VLAN configuration	
Access Control List	L2~L4 package filtering based on source and destination MAC, IP address, TCP/UDP ports, 802.1p, DSCP, protocol and VLAN ID	
	Time Range Based	
Security	IP-MAC-Port-VID Binding	
	IEEE 802.1X Port/MAC Based authentication, Radius, Guest VLAN	
	DoS Defense	
	Dynamic ARP inspection (DAI)	
	SSH v1/v2	
	SSL v2/v3/TLSv1	
	Port Security	
	Broadcast/Multicast/Unknown-unicast Storm Control	
Management	Web-based GUI and CLI management	
	SNMP v1/v2c/v3, Compatible with public MIBs DHCP/BOOTP Client, DHCP Snooping, DHCP Option82	
	CPU Monitoring	
	Port Mirroring	
	Time Setting: SNTP	
	Integrated NDP/NTDP feature	
	Firmware Upgrade: TFTP & Web	
	System Diagnose: VCT	
	SYSLOG & Public MIBs	

IXA-24F8G-L2M-4X / IXA-24F8G-L3M-4X

▶ 24-port Gigabit Managed Fiber Switch with 10G SFP Uplink



Overview

The product, a L2/L3 Managed Ethernet Switch, offers 24 x Gigabit SFP Ports or 8 x 10/100/1000 BASE-T RJ45 Ports and 4 x 10 Gigabit SFP+ Uplink Ports, it provides high-performance, powerful and abundant L2/L3 Switching functions like static routing, enterprise-level QoS, advanced security strategies and a bundle of ISP Features.

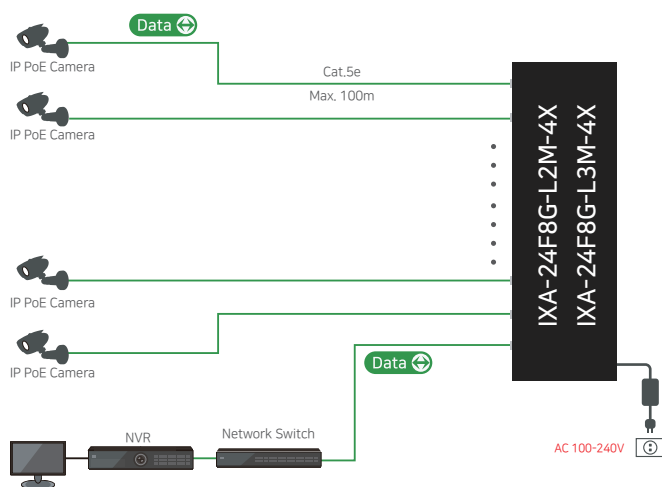
The IP-MAC-Port Binding (IMPB) AND Access Control List (ACL) functions protect against broadcast storm, ARP and Denial-of-service (DOS) attacks, etc, Quality of Service (QoS, L2 to L4) enhance traffic management capabilities to move your data smoother and faster, and advanced EPRS looping technology to improve the rapid self-recovery capability outdoor IP surveillance and wireless network applications.

19 inch size Metal shell supports 1U rack-mountable installation, along with the easy-to-use CLI web management interfaces, The product provides a reliable, secure solution for enterprise, campus and ISP networks requirement.

Features

- 24 x Gigabit SFP or 8 x 10/100/1000BASE-T RJ45 ports with 4 x 10G SFP Slots Uplink
- Static Routing, DHCP server and MSTP
- Link Aggregation Control Protocol (LACP)
- Default button for recovery factory setting
- Layer 2 management and security with Layer 3 capabilities
- Support short-circuit protection and Over-current protection
- L2/L3/L4 QoS and IGMP snooping optimize voice and video application
- WEB/CLI managed modes, SNMP, bring abundant management features

Connection Diagram



▶ Transmission distance may vary depending on the type and quality of cable.

Specification

Hardware Specifications : IXA-24F8G-L2M-4X / IXA-24F8G-L3M-4X		
Ports description	SFP port	1-24 port: Gigabit Fiber Slots or
	Combo port	1-8 port: 8 Gigabit BASE-T RJ45
	SFP Slots	25-28 port: 4 SFP+ (10G SFP) Slots
Performance Specification	Backplane Bandwidth	128Gbps
	Packet forwarding rate	95.23Mpps
	MAC address	16k
	Jumbo Frame	12k Bytes
Processing types	Store and forward	
Physical Security Lock	Yes	
Power Supply	AC 100~240V, 50/60Hz	
LED indicators	PWR, Link/Act	
	PWR (power indicator), Link/Act (link/activity indicator)	
Transmission mode	IEEE802.3x Full-duplex and Backpressure half-duplex	
Default Recovery	Hold on Default button for 10 seconds to recovery factory setting	
Network standard	IEEE802.3i 10 BASE-T	
	IEEE802.3u 100 BASE-TX	
	IEEE802.3ab 1000 BASE-T	
	IEEE802.3z 1000 BASE-T Fiber	
	IEEE802.3x Flow Control	
	IEEE802.1p LAN layer 2 QoS/CoS protocol for traffic priority (multicast filtering)	
	IEEE802.1q VLAN	
IEEE802.1d STP Spanning tree		
IEEE802.1w RSTP Spanning tree		
Dimensions	440mm(L) * 360mm(W) * 44mm(H)	
Cable Requirement	UTP cat 5 or above	
Environment Specification	Operating temperature: -10°C~45°C,	
	Operating humidity: 10%~90%	
	Storage temperature: -20°C~70°C,	
	Storage humidity: 5%~95%	

Software Specifications : IXA-24F8G-L2M-4X / IXA-24F8G-L3M-4X	
Quality of Service	Support 802.1p CoS/DSCP priority
	Support 4 priority queues
	Queue scheduling: SP, WRR, SP+WRR
	Port/Flow- based Rate Limiting
L2 Features	IGMP Snooping V1/V2/V3
	Spanning Tree: STP/RSTP/MSTP
	Port Isolation
	BPDU filtering/guard
	TC/Root protect
	Loop back detection
	802.3x Flow Control
802.3ad LACP	
L3 Features	Wire-speed IP Forwarding
	Static Routing
	RIP V1, V2
	DHCP Server/Relay
	APR Proxy
VLAN	Supports up to 4K VLANs simultaneously (out of 4K VLAN IDs)
	Port/ MAC/Protocol-based VLAN
	Management VLAN configuration
Access Control List	L2~L4 package filtering based on source and destination MAC, IP address, TCP/UDP ports, 802.1p, DSCP, protocol and VLAN ID
	Time Range Based
Security	IP-MAC-Port-VID Binding
	IEEE 802.1X Port/MAC Based authentication, Radius, Guest VLAN
	DoS Defense
	Dynamic ARP inspection (DAI)
	SSH v1/v2
	SSL v2/v3/TLSv1
	Port Security
	Broadcast/Multicast/Unknown-unicast Storm Control
	Web-based GUI and CLI management
	SNMP v1/v2c/v3, Compatible with public MIBs DHCP/BOOTP Client, DHCP Snooping, DHCP Option82
CPU Monitoring	
Port Mirroring	
Management	Time Setting: SNTP
	Integrated NDP/NTDP feature
	Firmware Upgrade: TFTP & Web
	System Diagnose: VCT
	SYSLOG & Public MIBS



INTERCOAX Co., Ltd.

TEL : 031.365.3133 FAX : 031.365.3135 E-mail : info@intercoax.com WEB : www.intercoax.com

Contents of this manual are subject to change without prior notice for reasons such as functionality enhancements.