



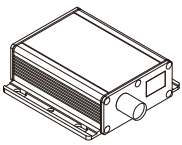
Quick Start Guide

MCP-501T / MCP-501R
MCP-501TL / MCP-501RL

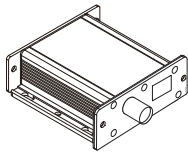
Please read carefully the instruction manual before use.
Contents of this manual are subject to change without prior notice for reasons such as functionality enhancements.

Rev.1.0

Package



MCP-501T
MCP-501R



MCP-501TL
MCP-501RL



Quick Start
Guide

Overview

MCP-501 is Ethernet / PoE over Coax converter that transmits the network data and PoE power over coaxial cable simultaneously.

It is cost-effective and time saving solution to migrate existing analog system to IP based system utilizing the existing coax cable infrastructure.

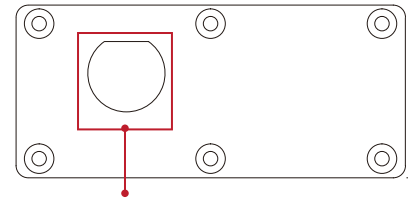
This is an industrial product made in accordance with the IP65 standard of waterproofing and railway certification standards.

Features

- Long range Ethernet over Coax communication following IEEE1901 Standard
- Network data and PoE over Coax (PoC, PoE)
- Max. 95Mbps Bandwidth (Max. 270Mbps between MCP-501)
- 10/100 Full Duplex Ethernet Communication
- M12 4 pin standard interface
- IEEE802.3 at/af standard PD(Rx only)/PSE(Tx only).
- Reliability based on railway certification standards and industrial environments
- IP65 water resistance

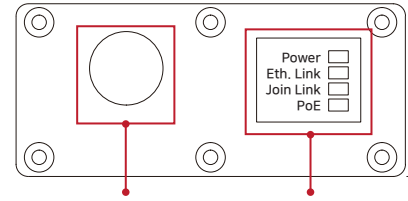
Hardware Overview

Right



COAX : BNC (No Analog camera)

Left

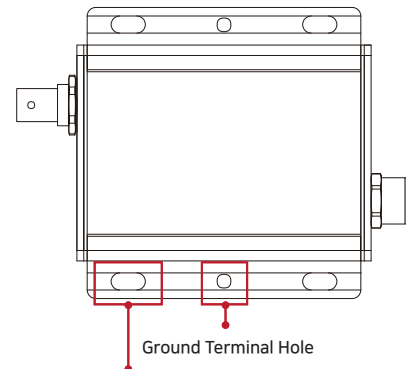


ETHERNET
M12 D-code 4P

Status LED Indicators

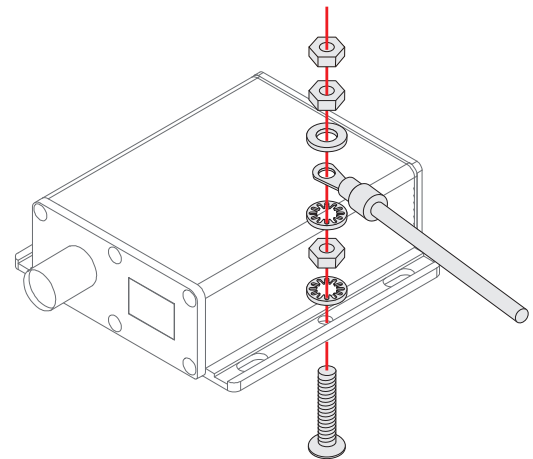
- Connect only PoE-supported products to Ethernet(M12) port of the MCP-501T. If it is not a PoE product, the product may be damaged due to electric shock.

Top



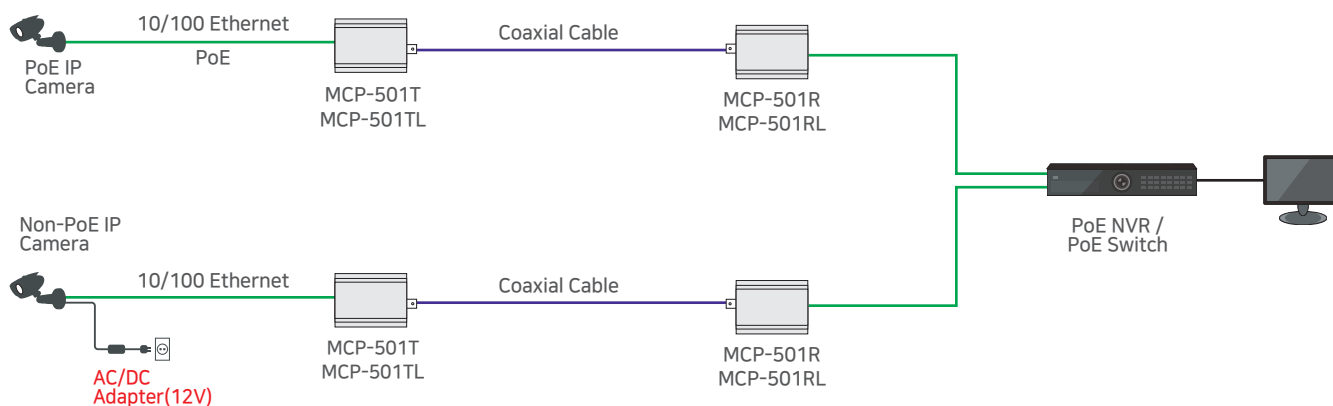
Mounting Screw Hole

Grounding Method



- When connecting the product to the ground, connect it to the dedicated ground line. DO NOT connect the ground to water pipes, gas piping or heating piping.

Applications



LED Indicators

Indicator	Color	Function
Power	Red	Power on LED
Eth. Link	Yellow	Ethernet Link/Act LED
Join Link	Green	Join/Link LED
PoE	Orange	PoE LED

Installation Guide

- Set the IP address on the camera following the instruction manual of the camera.
 - If the camera IP is automatically assigned (DHCP, etc.), there is no need to set the camera IP separately.
- Connect BNC of the coaxial cable to each MCP-501T and MCP-501R.
- Connect M12 D-Code 4P(Male) cable from the PoE Switching Hub or NVR to Ethernet port(M12)of the MCP-501R.
- When the connection is completed, check Power / Eth.Link / Join Link LED is turned on properly.
 - In case of 7W camera, the device supports long distance PoE transmission up to 1,000m over RG6 coaxial cable. PoE transmission distance can be varied depending on cable type and Camera's power consumption(W).
- Connect PoE IP Camera to MCP-501T and Eth.Link LED is turned on after camera operates properly.
 - MCP-501T and R transmit Ethernet data and power simultaneously over Coaxial (BNC) cable.
 - MCP-501T/R are products without DC-Jack. MCP-501T is powered by MCP-501R through the Coaxial cable and outputs PoE to camera via Ethernet (M12) port. MCP-501R is powered by PoE through Ethernet (M12) port.
- Ping test is recommended to confirm the whole network after installation.
- Check the video signal on the monitor.

Caution

- Please install the device following the installation guide.
- Do not touch the device and cable with wet hands.
- Keep away from moisture and shock.
- Do not install near any heat sources such as radiators, heat registers, stoves or other apparatus that produce heat.
- Indoor use only.
- Do not use for other purposes.
- Do not disassemble or modify this device.
- Do not put any sticker or paint on it.
- If this device is defective or malfunctioning, please unplug the power adapter immediately and contact dealer or service center.

Warranty

- This device has passed the quality control and product inspection.
- Please install and use according to the installation guide.
- The warranty period for this product is 24 months from the date of purchase.
- If this device is defective or malfunctioning, please unplug the power adapter immediately and contact dealer or service center.
- Any damages or breakage from user's abuse, accident, modification or natural disasters will not be covered manufacturer's warranty.



INTERCOAX
NETWORK

Intercoax Co., Ltd.

Please visit below website for more detailed information.

Web: <http://www.intercoax.com> Tel: +82. 31. 365. 3133~4

E-mail: info@intercoax.com Fax: +82. 31. 365. 3135

This device complies with part 15 of the fcc rules. Operation is subject to the following two conditions :

- (1) This device may not cause harmful interference, and
- (2) This device must accept any interference received including interference that may cause undesired operation