

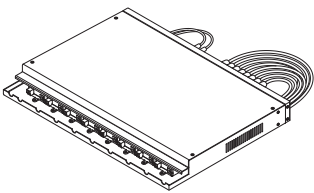
Quick Start Guide

ETP-08R

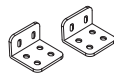
Please read carefully the instruction manual before use. Contents of this manual are subject to change without prior notice for reasons such as functionality enhancements.

Rev.1.0

Package



ETP-08R



Bracket



Quick Start Guide

Overview

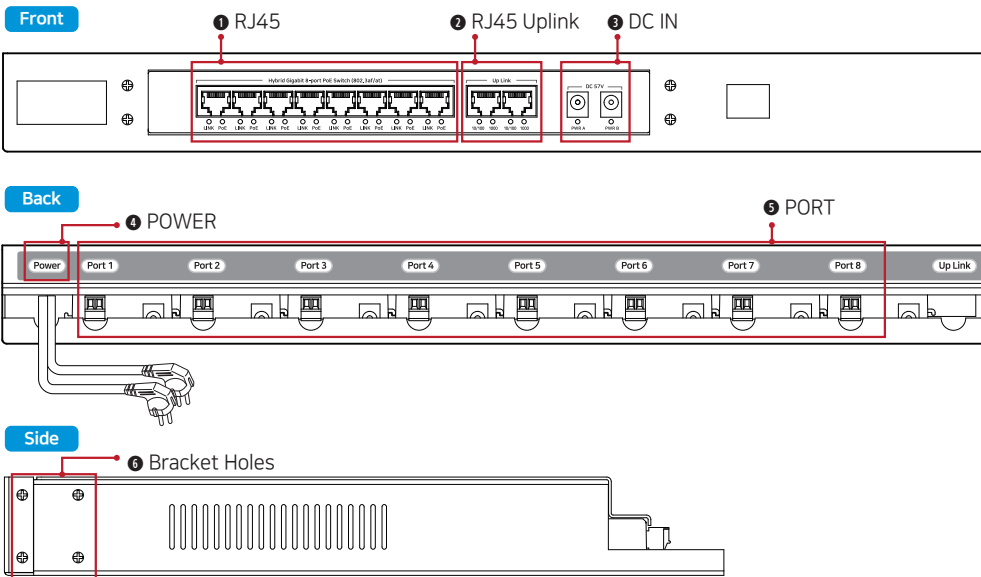
ETP-08R is an all-in-one 8-port Ethernet over 2-wire receiver and Hybrid switch that simultaneously transmits network data and supplies PoC power at high speed and long distance via 2-wire Twist cable, while also supporting existing Ethernet and PoE converters that can transmit IP data and PoE power for short and long distances.

Using of your existing analog cables (UTP, 2-wire), network cameras are easy to install and it is a cost-effective and time-saving solution to migrate from an existing analog system to an IP-based system. The long-distance transmission feature of this device makes it easy to overcome the usual 100m-distance limit, and combined with the HPS-01 switch, transmission can be extended up to 250m at a maximum speed of 100Mbps. Two power supplies are included for redundancy and power sharing.

Features

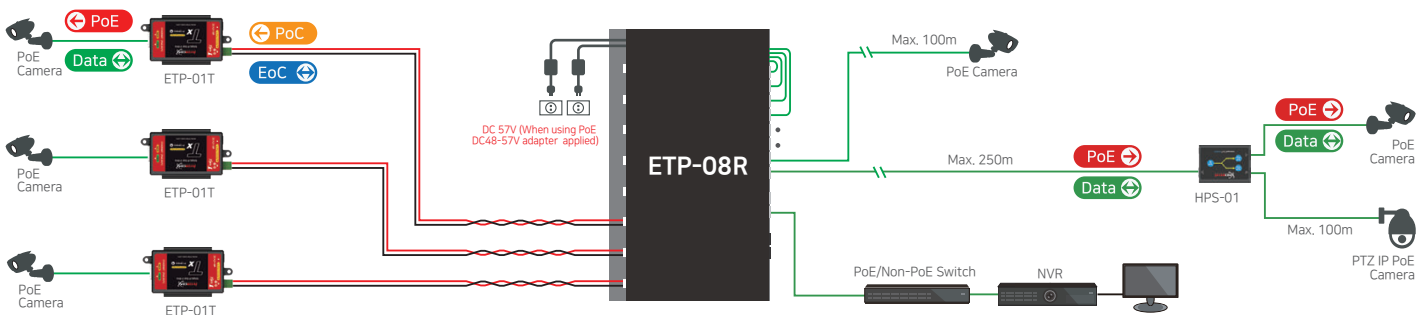
- Simultaneous use of regular Ethernet and Power over 2-wire
- Ethernet extension over existing 2-wire Twist cable
- Data + Power over 2-wire cable (PoE, PoC)
- Data up to 300m over 2-wire
- 100Mbps Full Duplex over 2-wire
- PoE, PoE+, Extra PoE (Max. 60W Output) – Use of additional power adaptor
- Quality LED (Data, Power)
- Plug & Play
- Surge Protection
- 10/100/1000 Base-T Ethernet (Full Duplex) 8+2 Hybrid PoE Switch
- 8-port PoE (IEEE802.3af standard) / PoE+ (IEEE802.3at standard)
- Extended Ethernet distance up to 250m (10/100 Base-T Ethernet standard / With the HPS-01 switch)
- 19" Rack

Hardware Overview



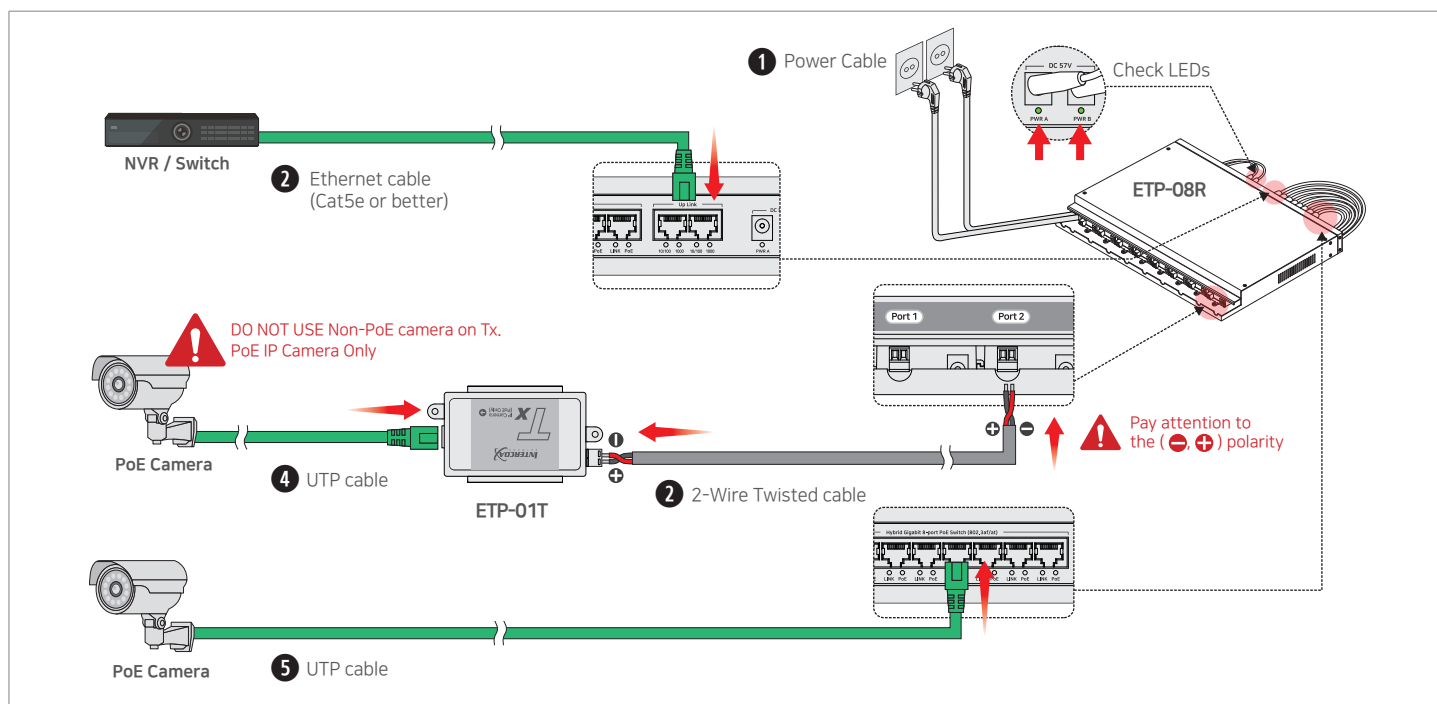
- 1 **RJ45:**
10/100/1000 Base-T Ethernet Port / 8 ports PoE+ (IEEE8002.3af/at – Max.25.5W)
- 2 **RJ45 Uplink:**
10/100/1000 Base-T Ethernet Uplink Port
- 3 **DC IN:**
DC Input ports (up to 57V DC input)
- 4 **POWER :**
Recommended use: 100-240V ~ 50/60Hz2.0A
- 5 **PORT:**
Each port of the ETP-08R connects to an ETP-01T via 2-wire cables
- 6 **Bracket Holes:**
Used to fix the product to the rack

Applications



Installation Guide

1. Plug the Power on ETP-08R and check if the Power LEDs are properly lit.
2. Connect the Switch or NVR to the Uplink of the ETP-08R with a UTP cable (LAN, Cat.5e or superior) Check if the LED of the ETP-08R is turned on properly.
3. Connect the ETP-08R to the ETP-01T with a 2-wire Twisted cable. ⚠ Caution! When connecting the cable, pay attention to the (⊖ ⊕) polarity.
4. Connect the ETP-01T to the IP camera with a UTP cable (LAN, Cat.5e or superior). Check if the LED of the ETP-01T is turned on properly.
5. Connect the PoE IP camera to the Ethernet port with a UTP cable (LAN, Cat.5e or superior). Check if the Ethernet LED is turned on properly.



Specification

Model		ETP-08R
Interface	2-Wire	8 x 2-Pin Terminal Block- Ethernet over 2-wire twisted cable
	Ethernet Downlink	8 x RJ-45 - 10/100/1000 Base-T with Autodetect MDIX (IEEE802.3af/at)
	Ethernet Uplink	2 x RJ-45 - 10/100/1000 Base-T with Autodetect MDIX
Transmission Rate	2-Wire	100Mbps Full Duplex (100Mbps between Intercoax devices)
	Ethernet	Max. 1Gbps Full Duplex
Transmission Distance	2-Wire	Up to 300m (1 Pair of Cat.5e) / 7W camera
	Ethernet	Up to 100m Up to 250m with HPS-01(2 Port Hybrid Switch)
LED Indication	Ethernet (Downlink)	8 x RJ45 Data Link (Green)
	Ethernet (Uplink)	2 x RJ45 Data Link (Green/Orange)
	PoE Output	8 x PoE Output (Orange)
	PWR Input	2 x Power Input (Blue)
Power Input		2 x Power input [DC-Jack] DC48V-57V
Power Output	PoC	PoE, PoE+, Extra PoE Max 60W over 2-Wire
	PoE	IEEE802.3af(PoE), IEEE802.3at (PoE+ / up to 25.5W)
Mechanical	Dimension	440(L) x 320(W) x 45(H)mm
	Weight	4480g
Environment	Operating Temp	-10 ~ 60°C
	Storage Temp	-30 ~ 80°C
	Relative Humidity	10% ~ 90%
Compliance	Certification	FCC, CE, KC, RoHS
	Surge Protection	IEC 61000-4-5 4kV(1.2 / 50us), 2kA(8 / 20us)
Optional Accessories		ETP-01T, ETP-101T

Caution

- DO NOT USE Non-PoE camera with an ETP-01T. (PoE IP camera only)
- When using a 2-wire cable, make sure to use a Twisted cable. When connecting, pay attention to the (⊖ ⊕) polarity
- Please install devices following the installation guide.
- Do not touch the device and cable with wet hands.
- Keep away from moisture and shock.
- Do not install near any heat sources such as radiators, heat registers, stoves or other apparatus that produce heat.
- Indoor use only. (Use waterproof junction box when it is used in outdoor)
- Do not use for other purposes.
- Do not disassemble or modify this device.
- Do not put any sticker or paint on it.
- If this device is defective or malfunctioning, please unplug the power source immediately and contact dealer or service center.
- Please use the rated power supply for the product.
- Connect DC power to this device first and then to AC outlet.

Warranty

- This device has passed the quality control and product inspection.
- Please install and use according to the installation guide.
- The warranty period for this product is 24 months from the date of purchase.
- If this device is defective or malfunctioning, please unplug the power adapter immediately and contact dealer or service center.
- Any damages or breakage from user's abuse, accident, modification or natural disasters will not be covered manufacturer's warranty.



Please visit below website for more detailed information.
 Web: <http://www.intercoax.com> Tel: +82. 31. 365. 3133~4
 E-mail: info@intercoax.com Fax: +82. 31. 365. 3135

This device complies with part 15 of the fcc rules. Operation is subject to the following two conditions :
 (1) This device may not cause harmful interference, and
 (2) This device must accept any interference received including interference that may cause undesired operation

