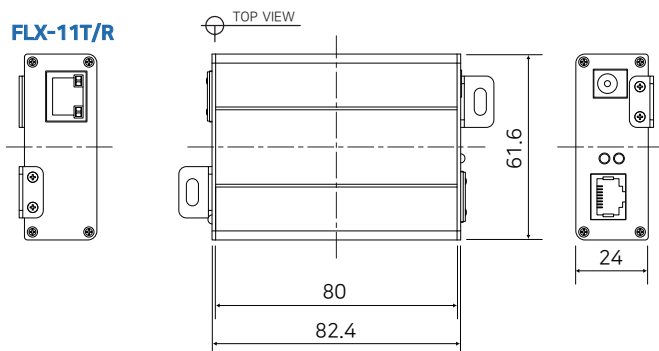


FLX-11T/R

Flexia Single Port Ethernet & PoE Short and Long Range Transmitter / Receiver (Utp Cable)



Dimension



Specification

Model		FLX-11T	FLX-11R
Interface	Flexia	1 x RJ45 - Long Reach	
	Ethernet	1 x RJ45 - 100 Base-T	
Transmission Rate		100Mbps Full Duplex (100Mbps between Intercoax devices)	
Transmission Distance	Flexia	Up to 500m (2 Pair of Cat.5e)	
	PoE	Up to 500m (4 Pair of Cat.5e / 7W Camera)	
LED Indication	Power	1 x Power On (Green)	
	Flexia	1 x Data (Blue)	
	Ethernet	1 x Data (Green)	
	PoE	1 x PoE On (Green)	
Power	Input	Flexia or DC48V-57V	PoE Switch or DC48V-57V
	PoE Output	IEEE802.3af (PoE), IEEE802.3at (PoE+), with 57V Power Adaptor	PoE Not Supported Flexia Only
Mechanical	Dimension	82.4(L) x 61.6(W) x 24(H)mm	
	Weight	70 g	
Environment	Operating Temp	-20 ~ 60°C	
	Storage Temp	-30 ~ 80°C	
	Relative Humidity	10% ~ 90%	
Compliance	Certification	FCC, CE, KC, RoHS	
	Surge Protection	IEC 61000-4-5 4kV(1.2 / 50us), 2kA(8 / 20us)	
Optional Accessories		57VDC / 1.2A External Power Supply	

Overview

FLX-11 Series are High-Speed, long reach Ethernet & PoE extender that makes possible to transmit the Ethernet signal and PoE up to 500m through UTP(Cat 5e or better)cable.

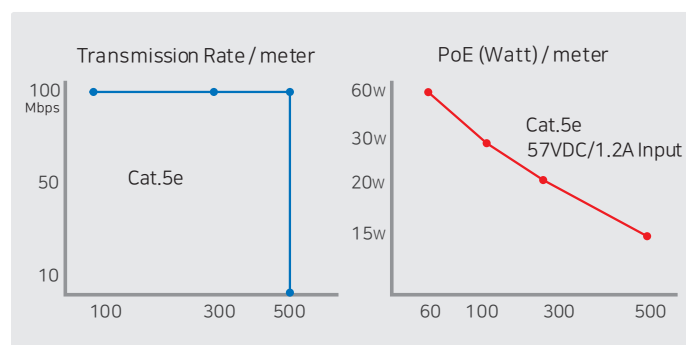
It is cost-effective and time saving solution to migrate existing analog system to IP based system since FLX-11 series support easy installation utilizing the existing UTP cable or UTP bundle cables.

With long reach transmission feature, the device makes to overcome 100 meters distance limitation easily and reduces the construction cost significantly compared with fiber optic configuration.

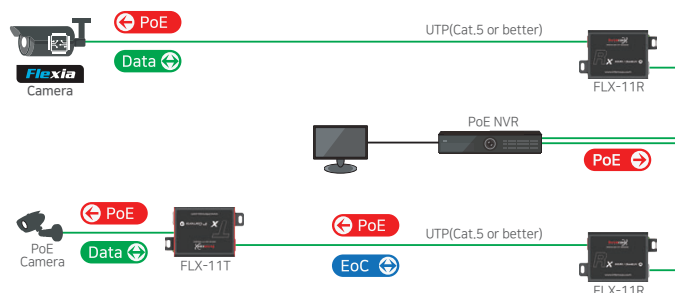
Features

- Long reach Ethernet & PoE extension over existing UTP(Cat 5e or better) cable
- Data + Power over UTP(Cat 5e or better) cable
- Data and PoE distance up to 500 m
- 100Mbps Full Duplex
- Support PoE, PoE+ PSE output to PoE Camera. (FLX-11T model only)
- Support PoE, PoE+ PD input (25.5W) from PoE Switch / PoE NVR (FLX-11R model only)
- Multicast supported
- LED Indication (Data, Power)
- Plug & Play
- Surge Protection
- Compact design

Performance chart



Connection Diagram



- Transmission distance may vary depending on the type and quality of cable, use of power and environmental condition.
- Distance is based on Cat.5e cable and 7 Watt IP Camera.