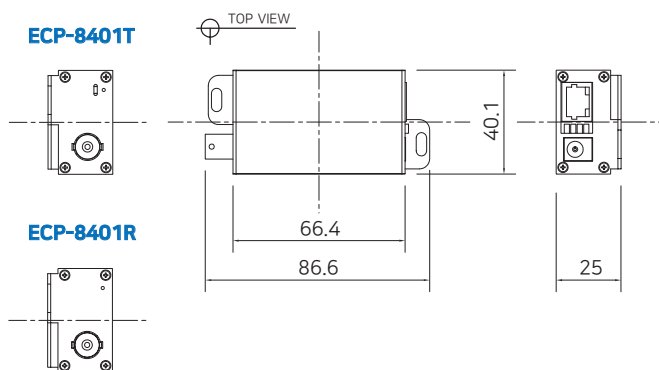


ECP-8401T/R

Single Port Ethernet over Coax Transmitter / Receiver



Dimension



Specification

Model	ECP-8401T	ECP-8401R
Interface	Coax	1 x 75Ω BNC (Female) - Ethernet over Coax (B-LinX)
	Ethernet	1 x RJ45 - 10/100 Base-T with Auto-detect MDIX
Transmission Rate	80Mbps Full Duplex (PHY: 200Mbps)	
Transmission Distance	Ethernet	up to 2.4Km(RG-6)
	PoE (PoC)	up to 1.2Km (RG-6 / 7W camera)
LED Indication	Ethernet	1 x PoE Link(Yellow)
	EoC	1 x Power Link(Green)
	Power	1 x Power On(Amber)
	PoE	1 x PoE Output(Red) 1 x PoE Input(Red)
Encryption	128-bit AES	
Power	Input	B-LinX or DC12V~57V
	PoE Output	IEEE802.3af(PoE), IEEE802.3at (PoE+), Extra PoE up to 60W
	PoE Input	Not Supported Up to 25.5W (PD)
Mechanical	Dimension	66.4(L) x 40.1(W) x 25(H)mm
	Weight	78g
Environment	Operating Temp	-10 ~ 60°C
	Storage Temp	-30 ~ 80°C
	Relative Humidity	10% ~ 90%
Compliance	Certification	FCC, CE, KC, RoHS
	Surge Protection	IEC 61000-4-5 4kV(1.2 / 50us), 2kA(8 / 20us)
Optional Accessories	57VDC / 1.2A External Power Supply	

Overview

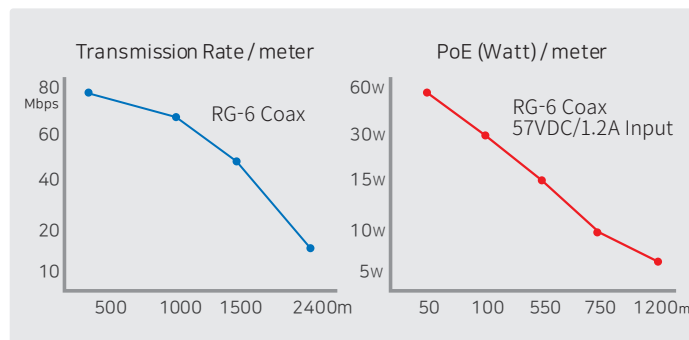
ECP-8401 is a High-Speed, long distance Ethernet & PoE extender that makes possible to transmit IP data up to 2.4Km and PoE up to 1.2Km through various analog cables in different situations.

It is cost-effective and time saving solution to migrate existing analog system to IP based system since ECP-8401 supports easy installation utilizing the existing CCTV cable (Coax, UTP, 2wire). With long distance transmission feature, the device makes to overcome 100 meters distance limitation easily and reduces the construction cost significantly compared with fiber optic configuration.

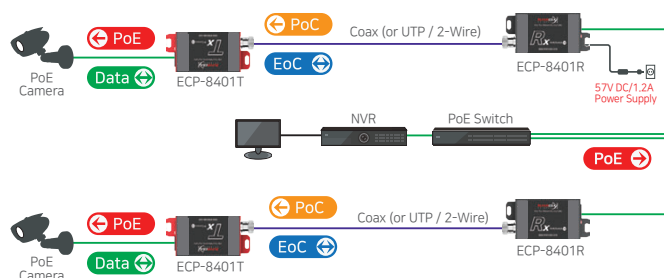
Features

- Ethernet over coax (UTP, 2-Wire) communication following IEEE1901 Standard
- Data + Power over Coax (or UTP, 2-wire)
- Data distance up to 2.4Km
- PoE distance up to 1.2Km
- Max. 80Mbps Bandwidth
- 10/100 Full Duplex
- 128bit AES network encryption
- Supports Multi-connection (Daisy chain, Star, etc.)
- PoE, PoE+, Extra PoE (Max. 60W output) (ECP-8401T only)
- PoE ON/OFF Switch - ECP-8401T model only
- Supports UTP, Telephone (2 Pairs), 2-Wire cable communication (Using BTE Series)
- Quality LED
- Plug & Play
- Over Current Protection for safe power transmission.
- Surge Protection
- Support PoE+ Input (25.5W) from PoE Switch – ECP-8401R Only
- Ultra-Slim Design

Performance chart



Connection Diagram



- Transmission distance may vary depending on the type and quality of cable, use of power and environmental condition.
- Distance is based on RG-6 coax cable and 7 Watt IP Camera.