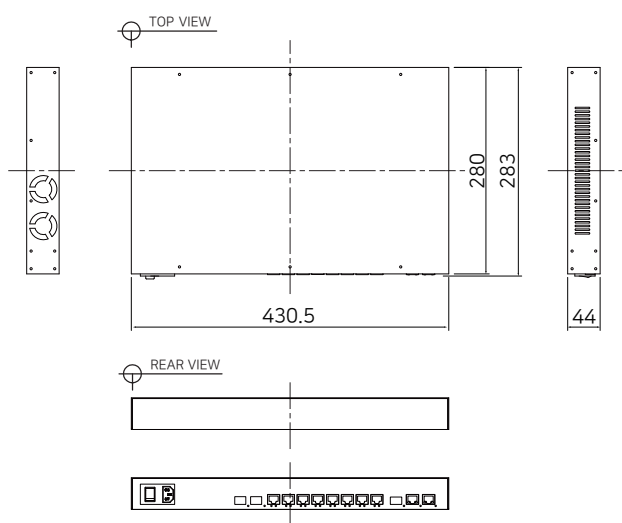


HPS-1008RM

▶ 8 Port Hybrid PoE Switch (NMS)



Dimension



Specification

Model		HPS-1008RM: 8 Port Hybrid PoE Switch
Interface	Downlink	8 x RJ-45 - 10/100/1000 Base-T with Auto-detect MDIX 2 x SFP - 1000 Base-FX
	Uplink	2 x RJ-45 - 10/100/1000 Base-T with Auto-detect MDIX 1 x SFP - 1000 Base-FX
Transmission Rate		1Gbps Full Duplex
Transmission Distance	Ethernet / PoE	Up to 100m Up to 250m with HG-01 (2 Port Hybrid PoE Switch)
	LED Indication	Ethernet (Downlink) 8 x RJ45 Data Link (Green) 2 x SFP Data Link (Green) Ethernet (Uplink) 2 x RJ45 Data Link (Green) 1 x SFP Data Link (Green) PoE Output 8 x PoE Output (Amber) PWR Input 1 x Power Input (Blue)
Power Input		AC100V-240V (50Hz/60Hz), 250W SMPS
Power Output	PoE	IEEE802.3af(PoE), IEEE802.3at (PoE+ / up to 25.5W)
Mechanical	Dimension	430.5(L) x 280(W) x 44(H) mm
	Weight	102g
	Operating Temp	-10~ 60°C
Environment	Storage Temp	- 30 ~ 80 °C
	Relative Humidity	10% ~ 90%
	Certification	FCC, CE, KC, RoHS
Compliance	Surge Protection	IEC 61000-4-5 4kV(1.2 / 50us), 2kA(8 / 20us)

Overview

The HPS-1008RM is a 19" rack mountable 8 +2 port Gigabit Hybrid PoE Switch that transmits 1Gbps Ethernet and supports PoE +(up to 25.5W)

Using HPS-01 (2 Port Hybrid PoE Switch), the device supports 100Mbps Ethernet transmission and PoE+ power supply up to 250 meters and it is possible to connect multiple devices in cascade mode.

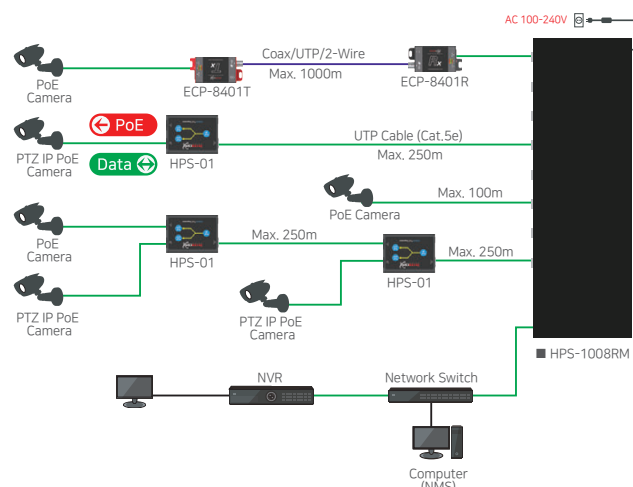
With the built-in standard PSE and the over current protection function, the device supplies secured PoE+ power up to 25.5W by each port.

The NMS (Network Management System) feature with the Browser based GUI & the exclusive Management software allow monitoring and managing multiple Hybrid PoE Switches remotely from central office.

Features

- Gigabit 8+2 port PoE Switch
 - Downlink(1Gbps): 8 x RJ45, 2 x SFP
 - Uplink(1Gbps): 2 x RJ45, 1 x SFP
- 10/100/1000 Ethernet (Full Duplex)
- Extended Ethernet (100Mbps) distance up to 250 m (With the HPS-01: 2 port Hybrid PoE Switch)
- Cascade configuration (With the HPS-01: 2 port Hybrid PoE Switch)
- PoE, PoE+ output up to 25.5W
- Over current protection for secured power supply
- Surge Protection
- NMS (Network Management System)
 - Connection Status monitoring
 - Transmission Bandwidth per port monitoring
 - Reset per each port
 - Device ID setting
 - Event & Alarm
 - Power consumption monitoring
 - SNMP
 - Default Setting (User, Factory)
 - e-MAP

Connection Diagram



▶ Transmission distance may vary depending on the type and quality of cable.