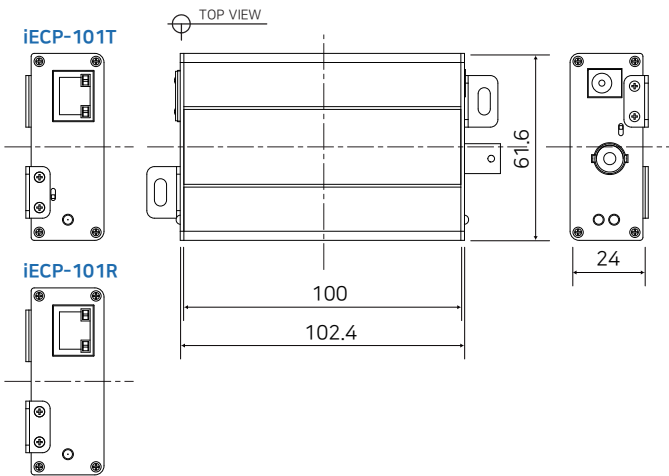


# iECP-101T/R

► Premium Single Port Ethernet Over Coax Transmitter / Receiver with Network Diagnostic Feature (Multicast)



## Dimension



## Specification

Model		iECP-101T	iECP-101R
Interface	Coax	1 x 75Ω BNC (Female) - Ethernet over Coax (B-LinX)	
	Ethernet	1x RJ45 - 10/100 Base-T with Manual selection	
Transmission Rate		10/100Mbps Full Duplex	
Transmission Distance	Ethernet	up to 700 m (RG-6)	
	PoE (PoC)	up to 700 m (RG-6 / 15W output)	
LED Indication	Ethernet	1 x Link / Act (Green) / 1 x PoE (Green)	
	EoC	1 x Link (Blue) / 1 x Act (Green)	
	Power	1 x Power On(Green)	
Power	Input	B-Linx or DC48V~57V	
	PoE Output	IEEE802.3af (PoE), IEEE802.3at (PoE+), Extra PoE up to 60W	PoE Not Supported PoC Only
	PoE Input	Not Supported	Up to 25.5W (PD)
Mechanical	Dimension	102.4(L) x 61.6(W) x 24(H)mm	
	Weight	124g	
Environment	Operating Temp	-20 ~ 60°C	
	Storage Temp	-30 ~ 80°C	
	Relative Humidity	10% ~ 90%	
Compliance	Certification	FCC, CE, KC	
	Surge Protection	IEC 61000-4-5 4kV(1.2 / 50us), 2kA(8 / 20us)	
Optional Accessories		56VDC / 1.2A External Power Supply	

## Overview

iECP-101 Series are High-Speed, long distance Ethernet & PoE extender that makes possible to transmit the Ethernet signal and PoE up to 700m through Coax cables in different situations. It is cost-effective and time saving solution to migrate existing analog system to IP based system since iECP-101 supports easy installation utilizing the existing Coax cable.

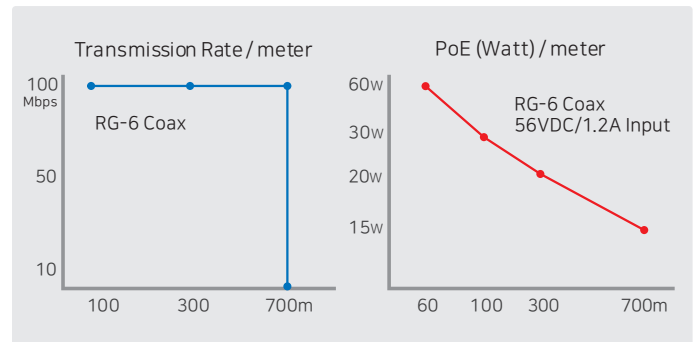
With long distance transmission feature, the device makes to overcome 100 meters distance limitation easily and reduces the construction cost significantly compared with fiber optic configuration.

Also, iECP-101 supports network diagnostic function by IP address setting with a separate iECP manager software.

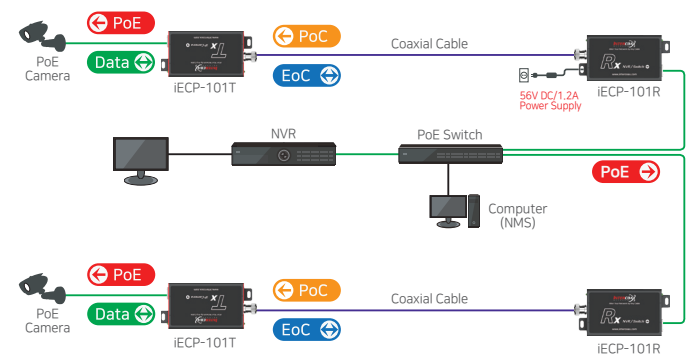
## Features

- Ethernet Extension over existing coaxial cable Data + Power over Coaxial cable.
- Data and PoE distance up to 700m
- Max. 100Mbps Bandwidth
- 10/100 Full Duplex
- Multicast supported
- PoE, PoE+, Extra PoE (Max. 60W output) (iECP-101T only)
- PoE ON/OFF Switch (iECP-101T only)
- Surge Protection
- Network Diagnostic feature: Connection status of the devices, PoE Power Input / Output Status, Operating Voltage / Current status, Transmission Speed.
- Support PoE+ Input (25.5W) from PSE devices - iECP-101R Only

## Performance chart



## Connection Diagram



- Transmission distance may vary depending on the type and quality of cable, use of power and environmental condition.
- Distance is based on RG-6 coax cable and 7 Watt IP Camera.

# iECP-101T/R

## iECP-101 Software ► INTERCOAX iECP Manager

Professional management software for device IP setting, real-time monitoring and remote access.

### Create Device Group

M	Location	Enable	Group	Model	IP Address
1	iECP-101	Yes	show room	iECP-101R	192.168.4.100

### Receiver Registration

M	Location	Enable	Group	Model	IP Address
1	iECP-101	Yes	show room	iECP-101R	192.168.4.100

### Transmitter Registration

M	Location	Enable	Group	Model	IP Address
1	iECP-101	Yes	show room	iECP-101T	192.168.4.100

### Connection Status between Devices

### Connection Status of the Receiver

**Device Information:**  
 iECP ID: iECP-101R  
 S/W Version: iECP\_ver 0.14  
 Board Model: IP Board  
 Power Source: Power Adapter  
 Running Time: 5425.4438

**Network Configuration:**  
 IP Address: 192.168.4.100  
 Subnet Mask: 255.255.255.0  
 Gateway Address: 192.168.4.1

**Power Status:** Voltage: Current: Power

**Link Status:** On, Link Speed: 100Mbps

### Connection Status of the Transmitter

**Device Information:**  
 iECP ID: iECP-101T  
 S/W Version: iECP\_ver 0.14  
 Board Model: IP Board  
 Power Source: PoE  
 Running Time: 11429.1327.1338

**Network Configuration:**  
 IP Address: 192.168.4.200  
 Subnet Mask: 255.255.255.0  
 Gateway Address: 192.168.4.1

**Power Status:** Voltage: Current: Power

**Link Status:** On, Link Speed: 100Mbps